

# STEREO INTEGRATED AMPLIFIER/TUNER C-V100/V150/V300/V350 SERVICE MANUAL

# KENWOOD

# C-V100/V150/V300/V350

## CONTENTS / ACCESSORIES

© 1997-6/B51-5323-00 (K/K) 3676

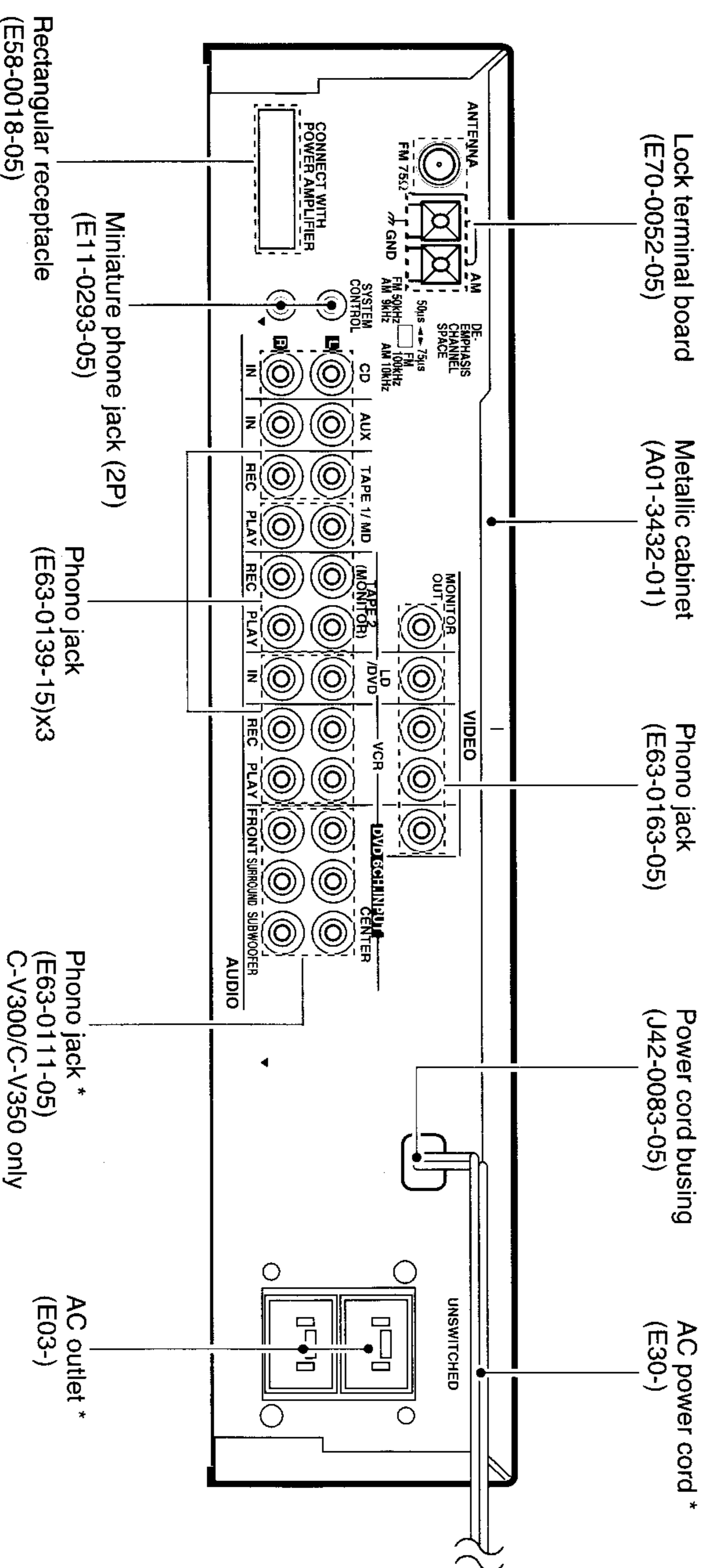
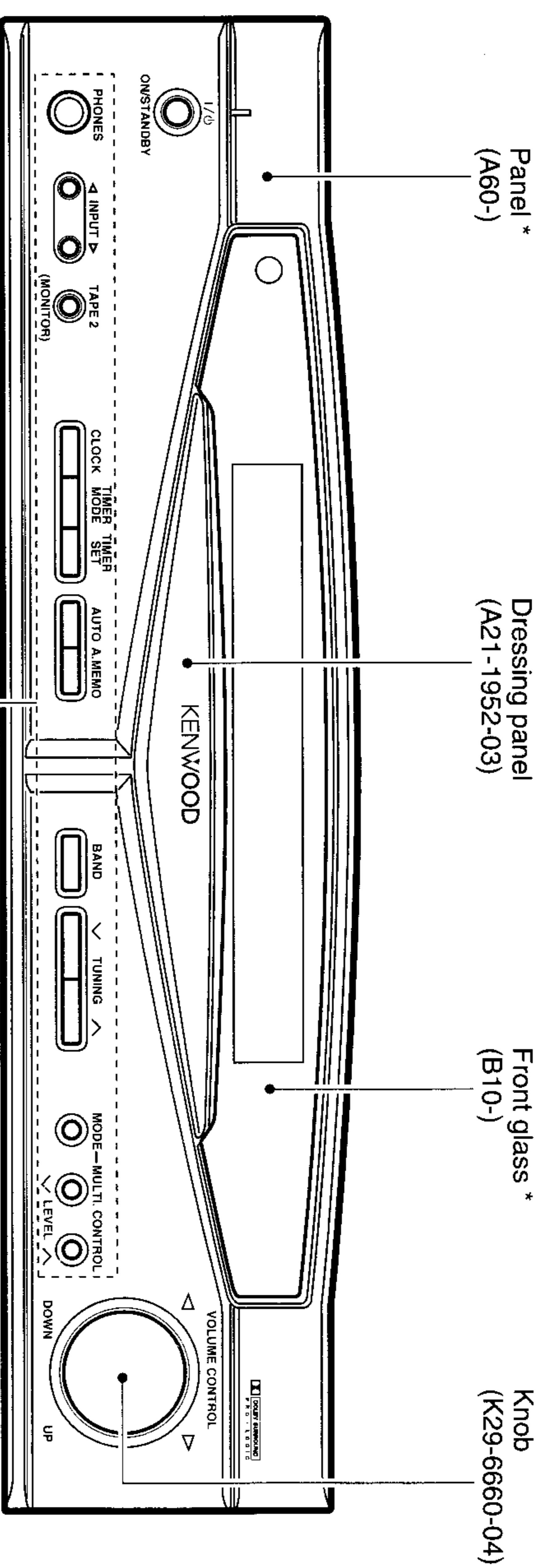


Illustration is C-V100.  
\* Refer to parts list on page 33.

**Caution :** No connection of ground line if disassemble the unit.  
Please connect the ground line on rear panel, PCBs, Chassis and some others.

<b>Contents</b>	
CONTENTS / ACCESSORIES .....	2
DISASSEMBLY FOR REPAIR .....	3
ADJUSTMENT .....	4
PC BOARD .....	5
SCHMATIC DIAGRAM .....	13
EXPLODED VIEW .....	31
PARTS LIST .....	33
SPECIFICATIONS .....	44

### How to reset the microcomputer

The microcomputer may malfunction (impossibility operation, erroneous display, etc.) when the power cord is unplugged and plugged in again while the unit is in ON mode with the Key pressed or due to other external causes. In this case execute the procedure on the right to reset the microcomputer and return the unit to the normal condition.

- ① Unplug the power cord from the wall outlet.
- ② While pressing and holding the POWER or (ON/STANDBY)key, plug the AC cord into the wall outlet again

• Resetting the microcomputer clears the memory you entered and returns in to the initial condition when the unit left the factory.

### Accessories (C-V100/300)

<p>FM indoor antenna(1) (T90-0809-05): MICX type (T90-0810-05): KPY type</p>	<p>AM loop antenna(1) (T90-0820-05)</p>	<p>Loop antenna stand(1)</p>	<p>Remote control unit(1) * (C-V100) (Except U.S.A. and Canada)</p>	<p>Cable tidy(2) (F07-0102-04)</p>
<p>Graphical Remote Control unit(1) * (C-V300) (C-V100, only U.S.A. and Canada) *</p>	<p>Batteries(R03/AAA) (4) (C-V300) (C-V100, only U.S.A. and Canada)</p>	<p>* AC plug adapter (1) (E03-0115-05)</p>	<p>Batteries(R6/AA) (2) (C-V100) (Except U.S.A. and Canada)</p>	

\* Use to adapt the plug on the power cord to the shape of the wall outlet. (Accessory only for regions where use is necessary)

(C-V150/350)

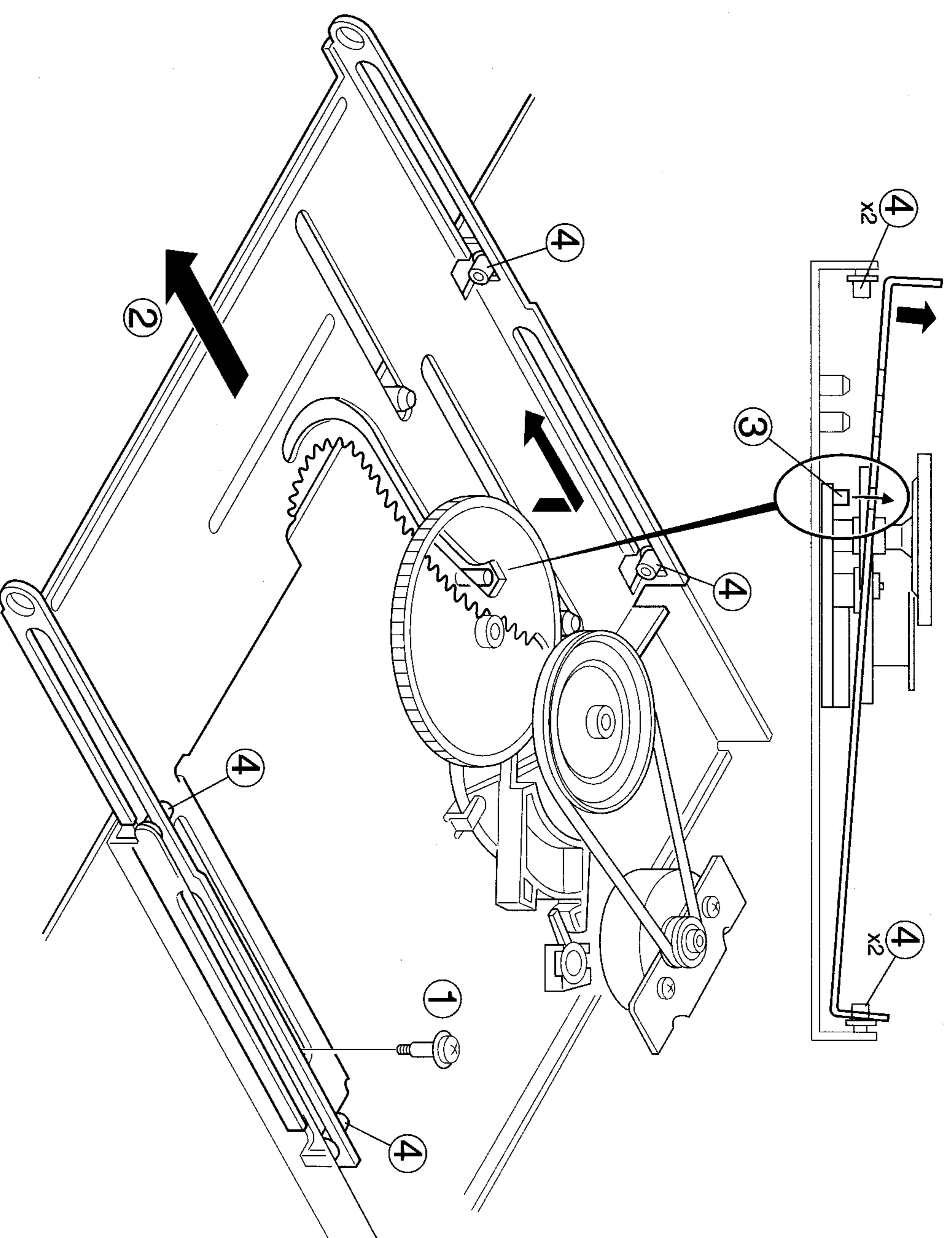
<p>FM indoor antenna(1) (T90-0809-05): MICX type (T90-0810-05): ET type</p>	<p>AM loop antenna(1) (T90-0820-05)</p>	<p>Loop antenna stand(1)</p>	<p>Graphical Remote Control unit(1) * (C-V350) (Optional with the C-V150)</p>	<p>Cable tidy(2) (F07-0102-04)</p>
<p>Remote control unit(1) * (C-V150)</p>	<p>Batteries(R03/AAA) (4) (C-V350)</p>	<p>Microphone(1) (M01-0935-05)</p>	<p>Batteries(R6/AA) (2) (C-V150)</p>	

\* Refer to parts list on page 33.

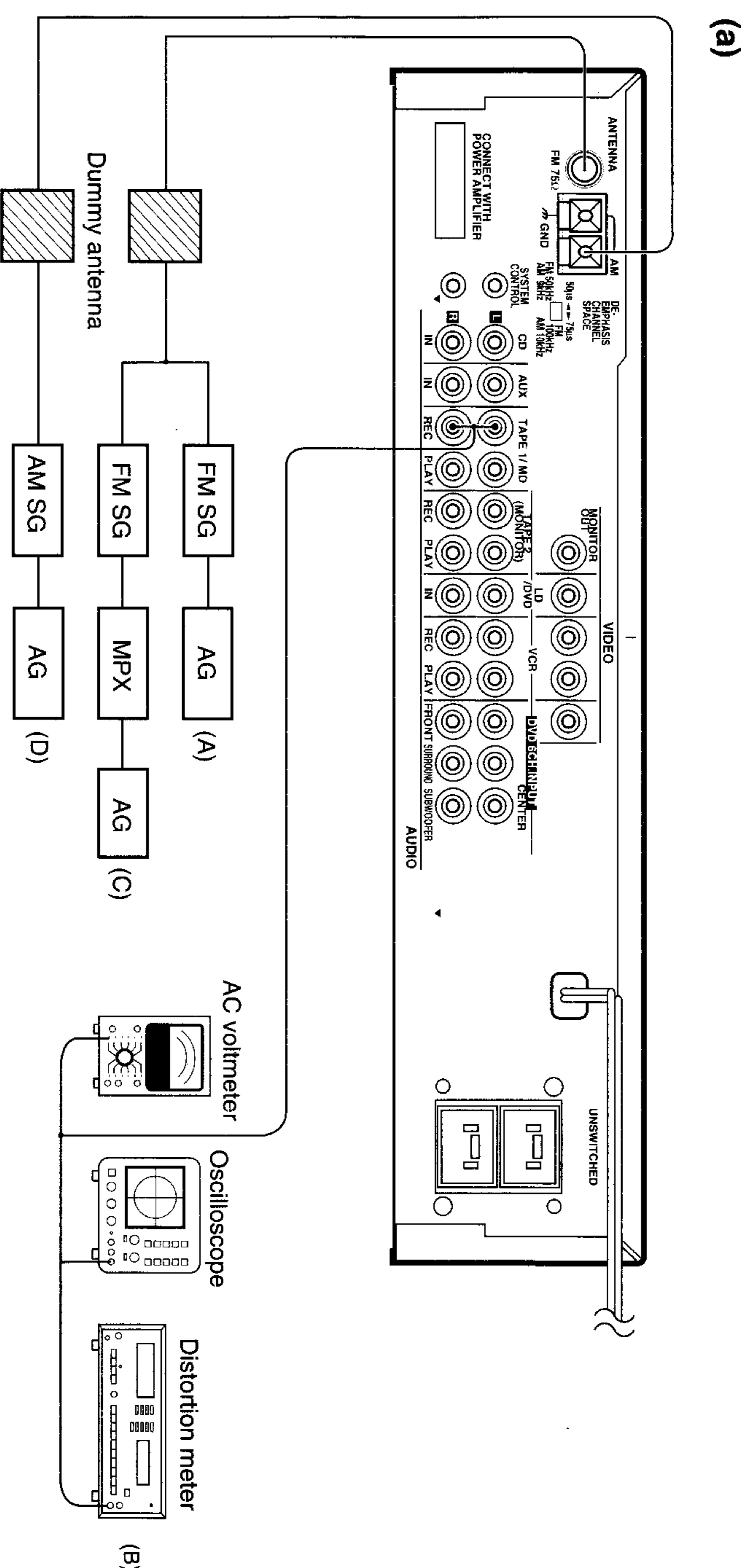
# C-V100/V150/V300/V350 DISASSEMBLY FOR REPAIR

# C-V100/V150/V300/V350 ADJUSTMENT

1. Remove the 1 screw (1), Then pull the slider (2) till last
2. While raise the slider of left side, remove the slider from the bosses (3,4)



No.	ITEM	INPUT SETTING	OUTPUT SELECTOR	TUNER/AMP SETTING	ALIGNMENT POINTS	ALIGN FOR	FIG.
<b>SELECTOR : FM</b>							
1	DISCRIMINATOR L31↔L32 (E, T only)	(A) 98.0MHz 1kHz, ±40kHz dev (E, T type) 60dBu (ANT INPUT)	Connect a DC voltmeter between port of CN2 (B)	AUTO 98.0MHz	L31 (X05-)  L32 (X05-)	0V  Minimum distortion	(a)
2	DISTORTION (STEREO)	(C) 98.0MHz 1kHz, ±40kHz dev pilot: ±6kHz dev 60dBu (ANT INPUT)	(B)	AUTO (98.0MHz)	IFT (W02-)	Minimum distortion	(a)

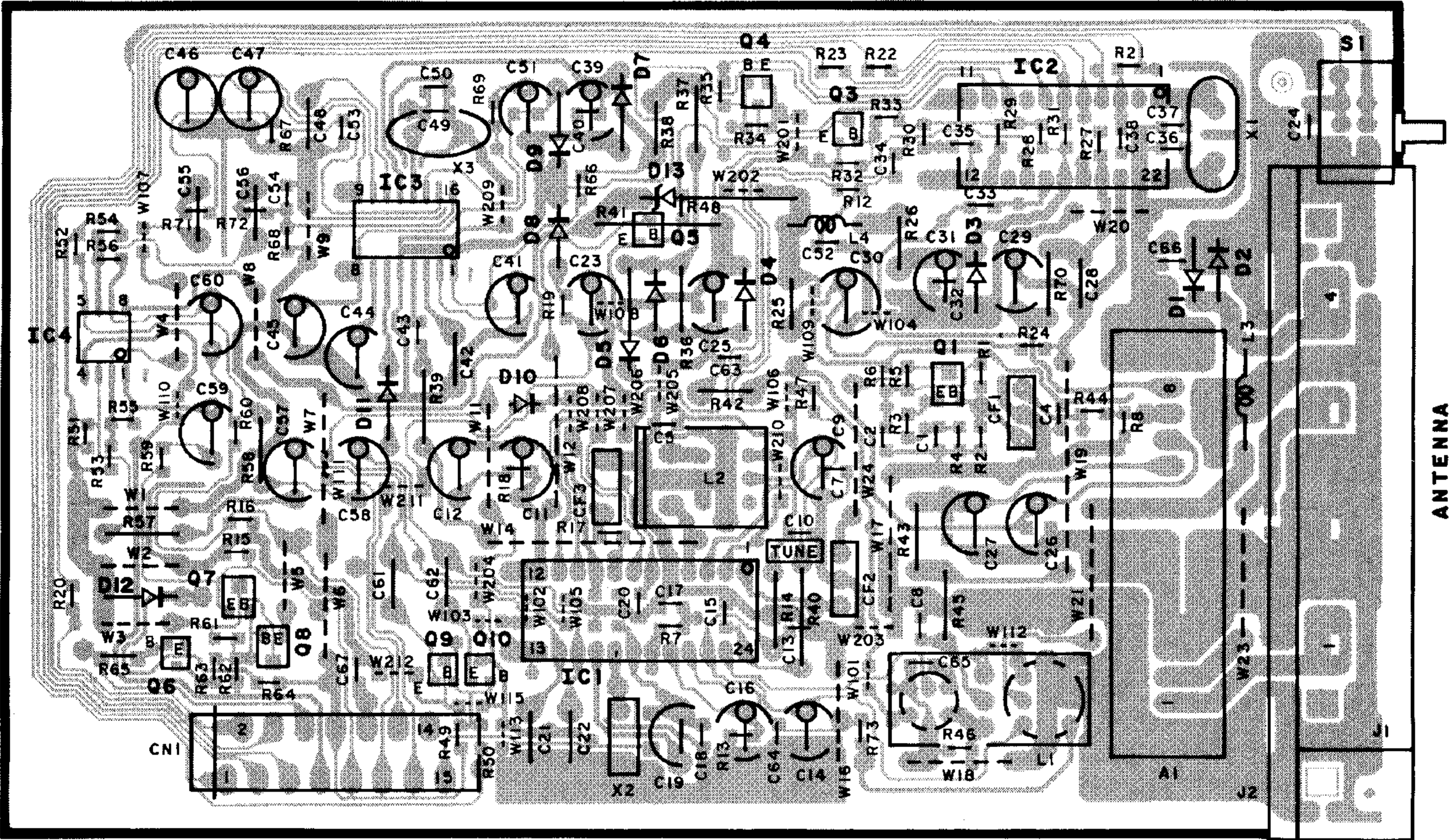


## ERROR MESSAGE

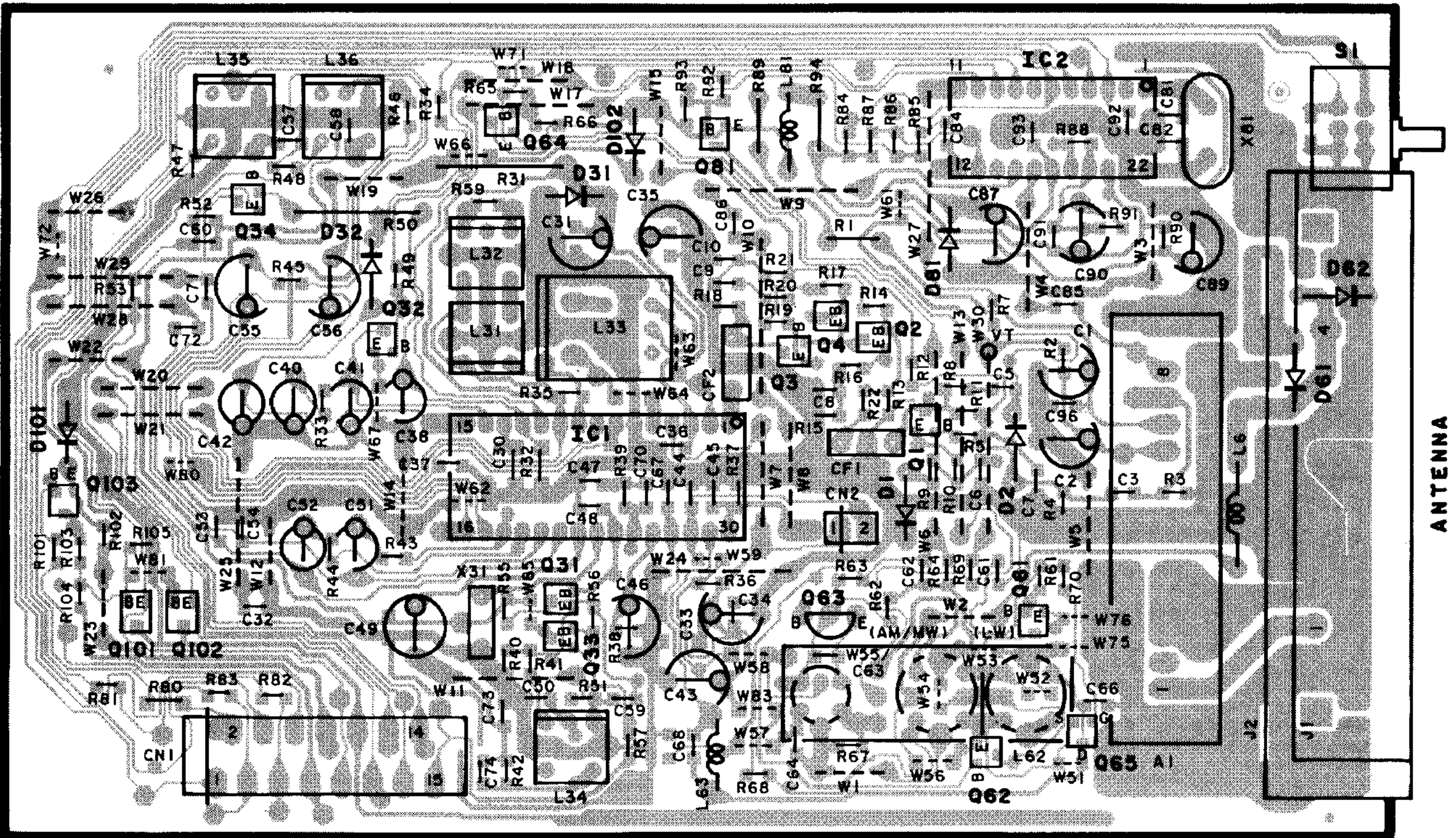
DISPLAY	DESCRIPTION
ERR 1	Main u-com sub clock no output
ERR 2	Main u-com sub clock frequency NG

# PC BOARD (Component side view)

(X05-4670-20) J70-0959-11

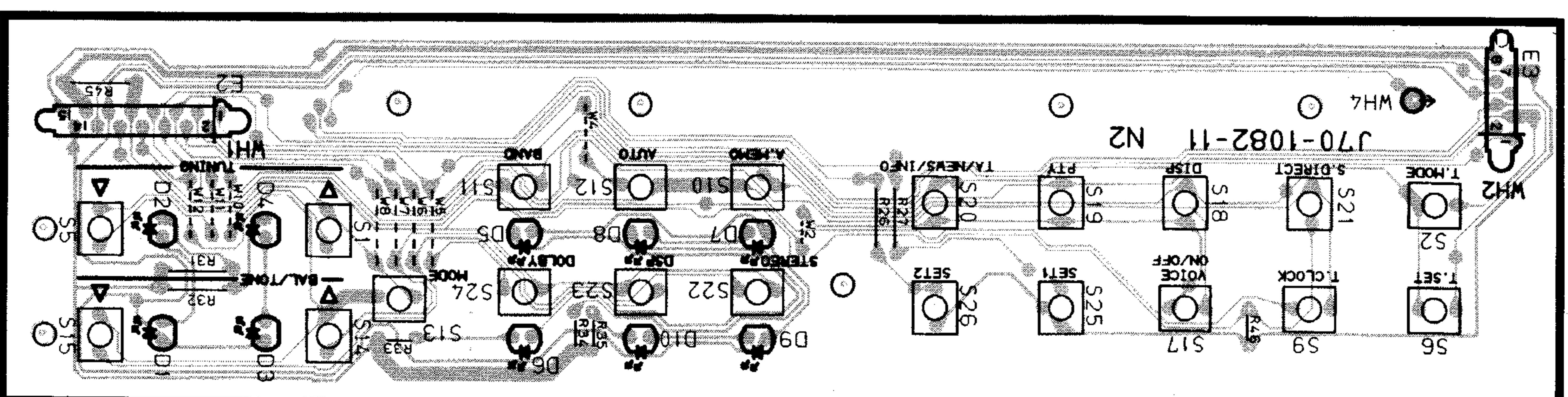
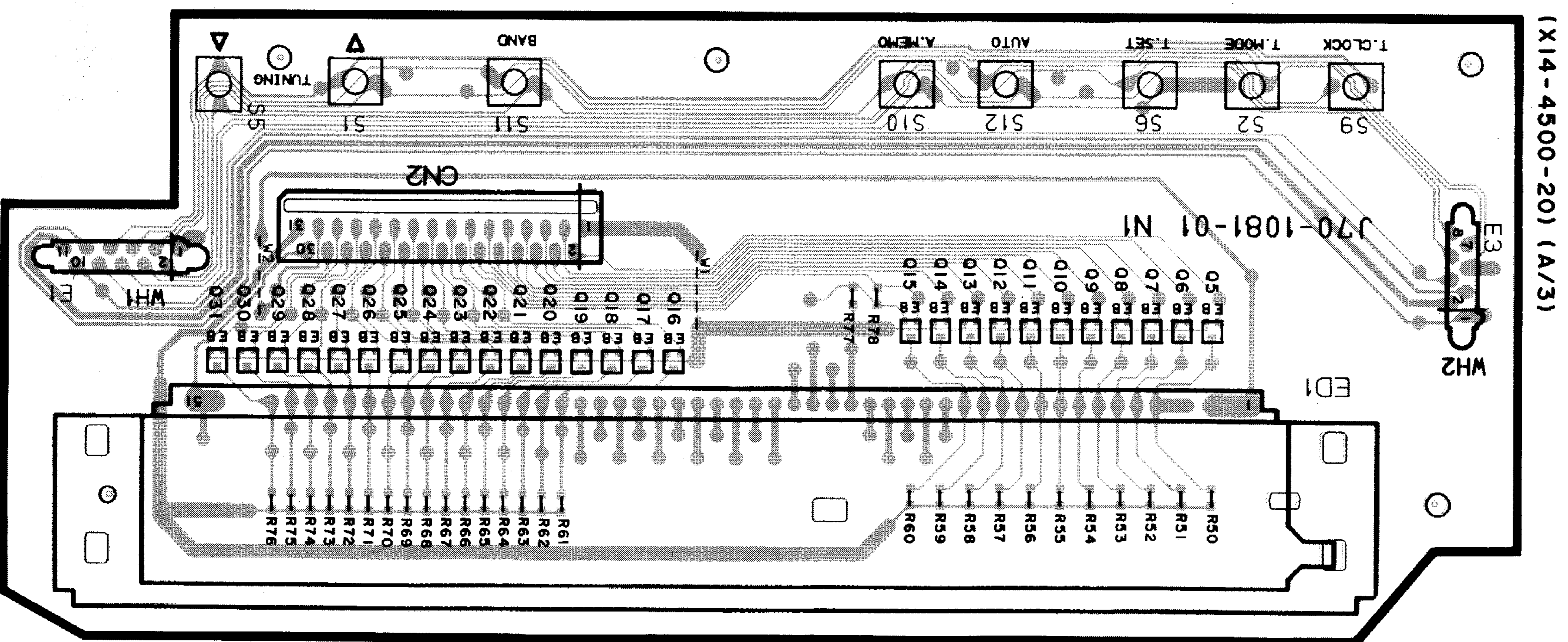
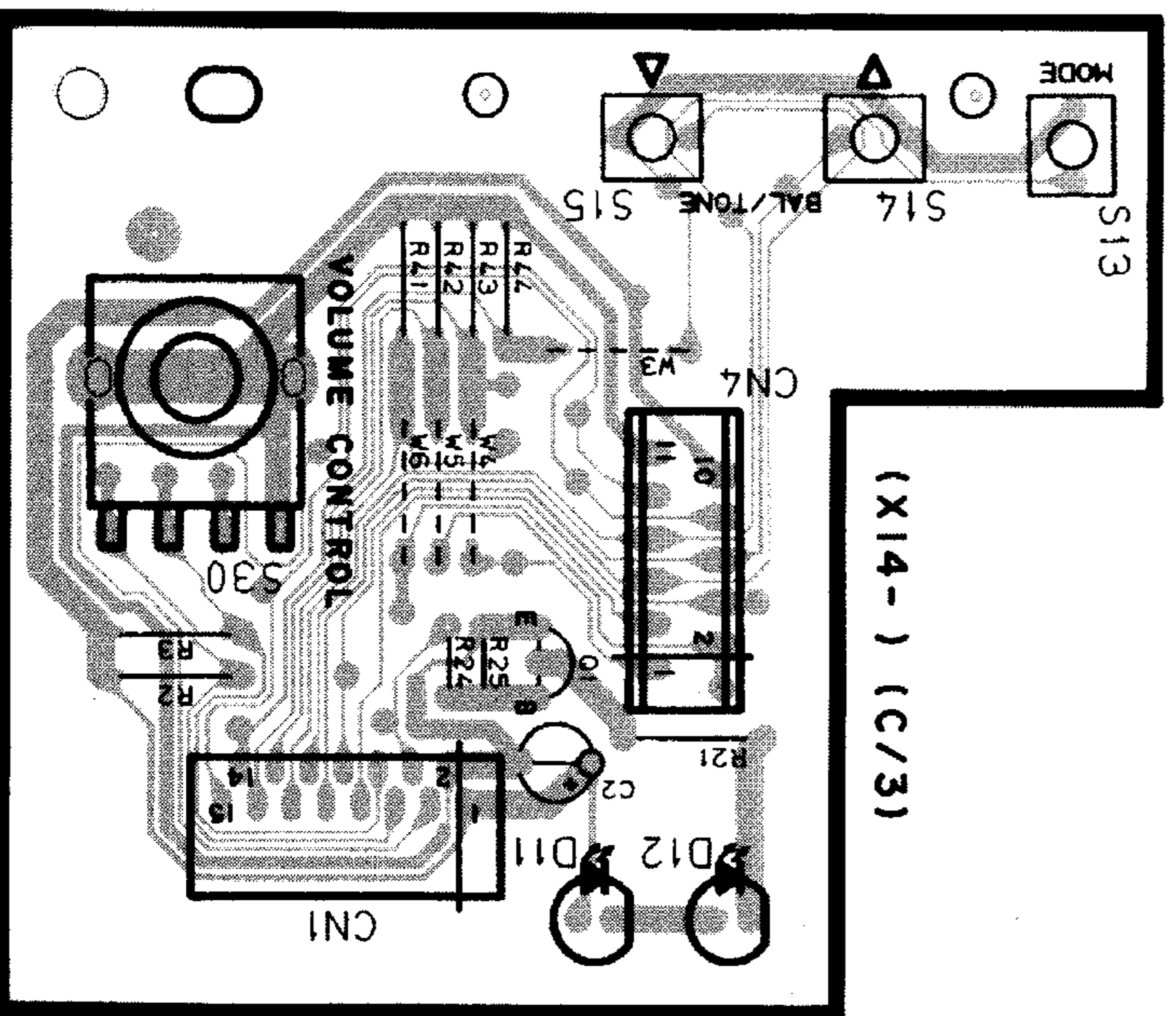
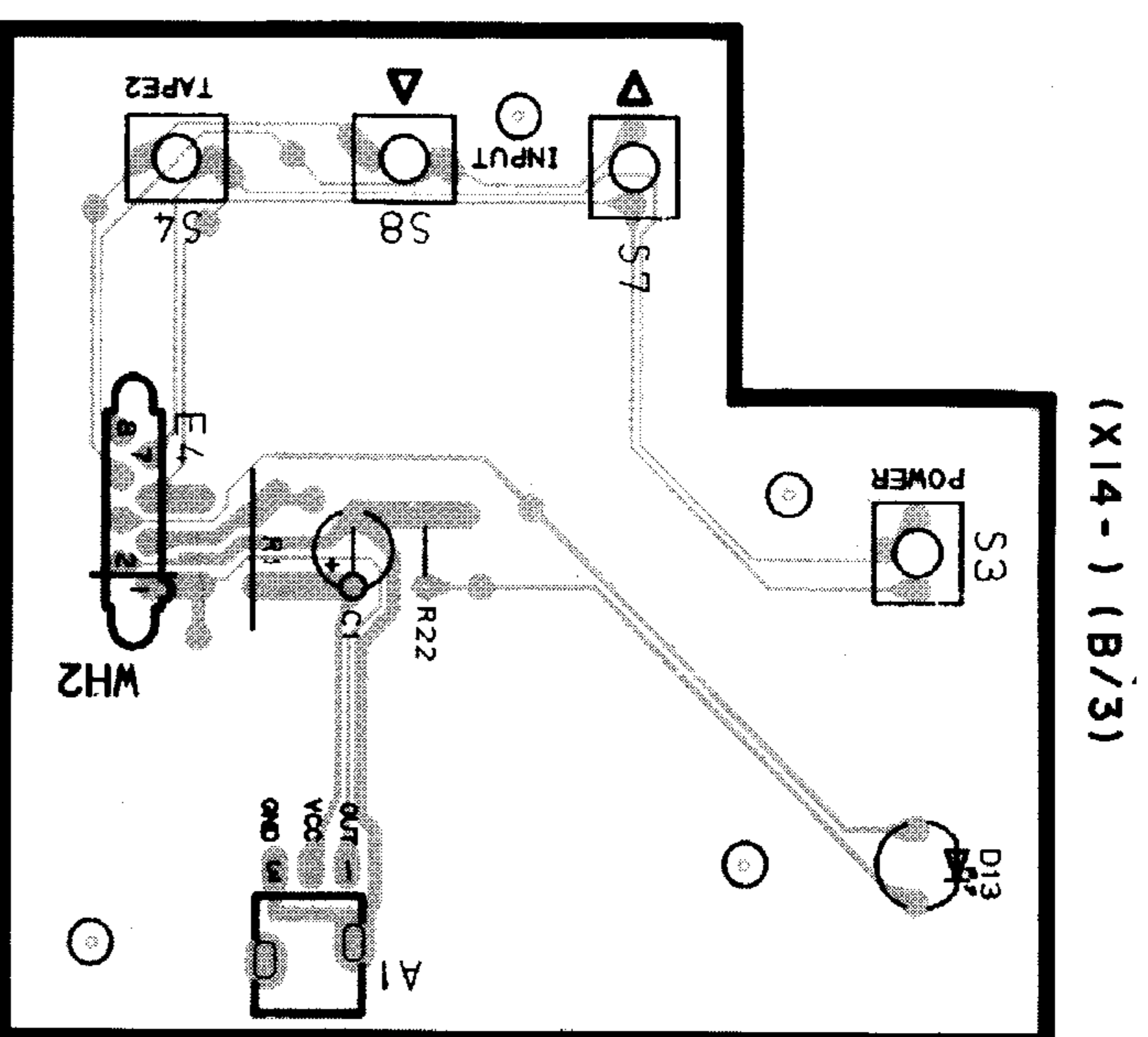


(X05-468X-XX) J70-0960-21

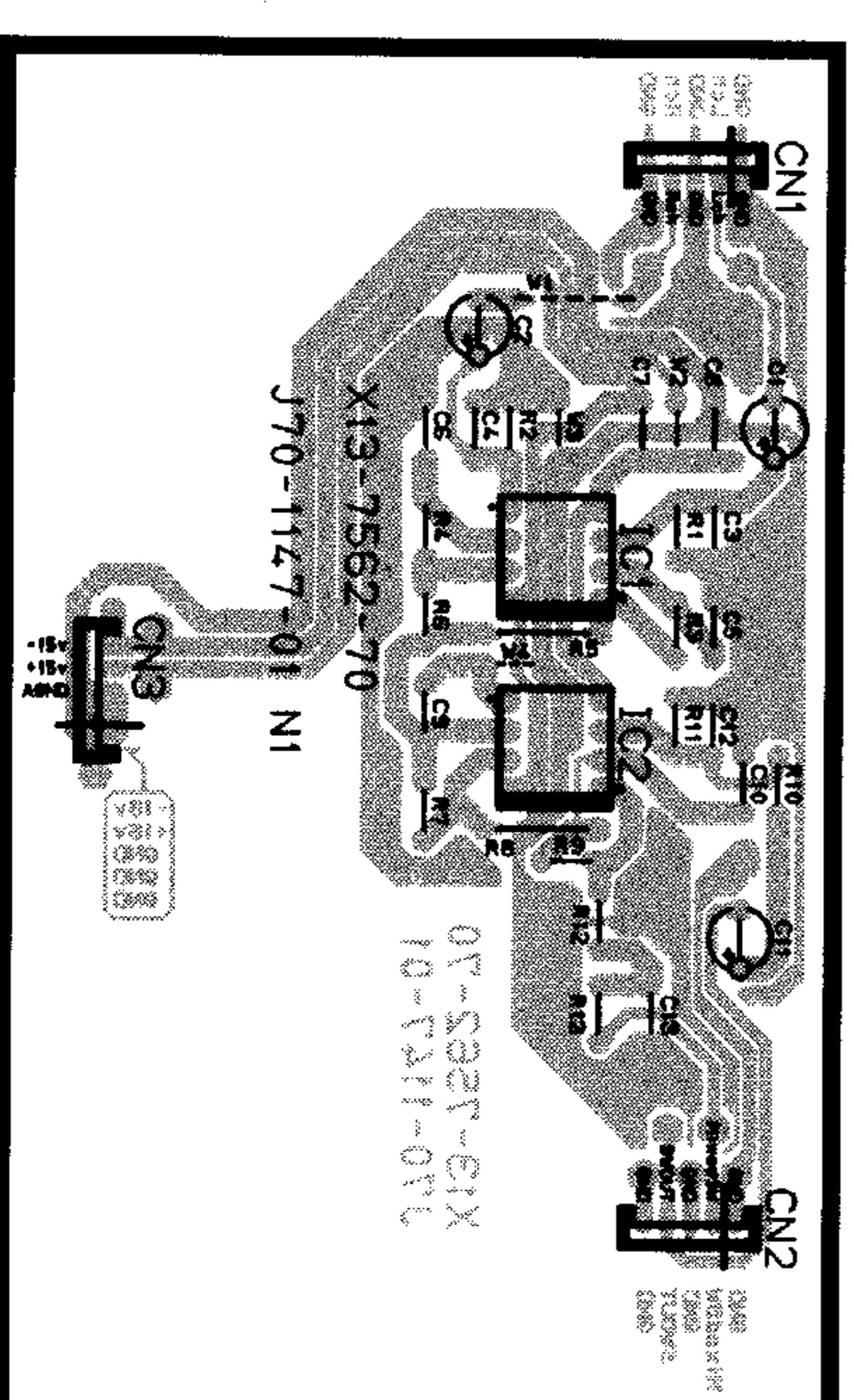
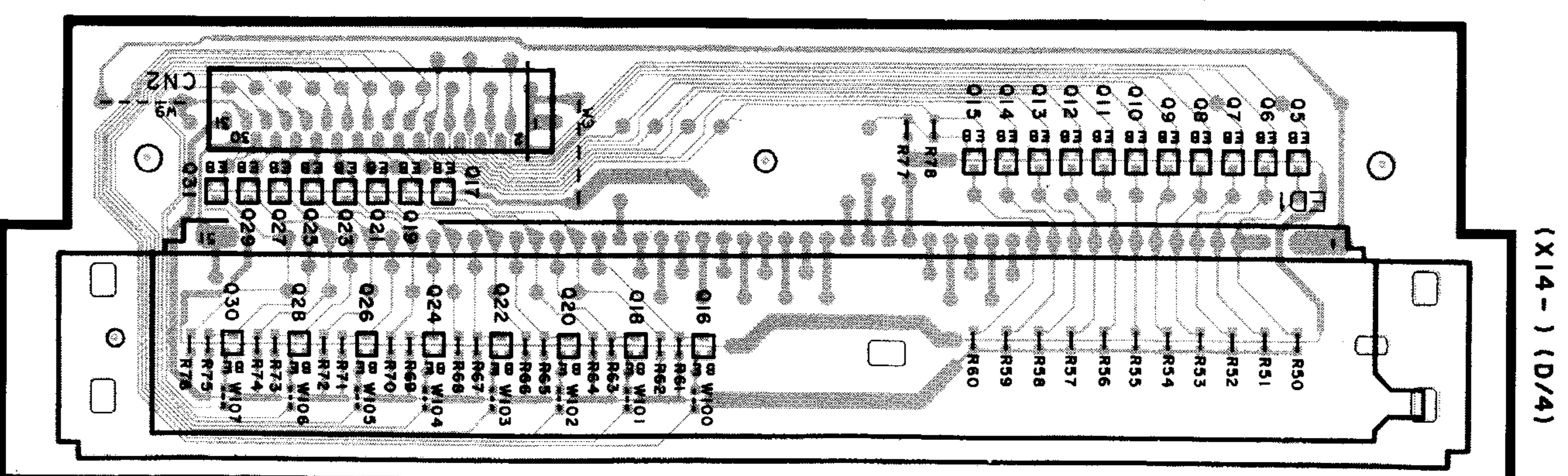
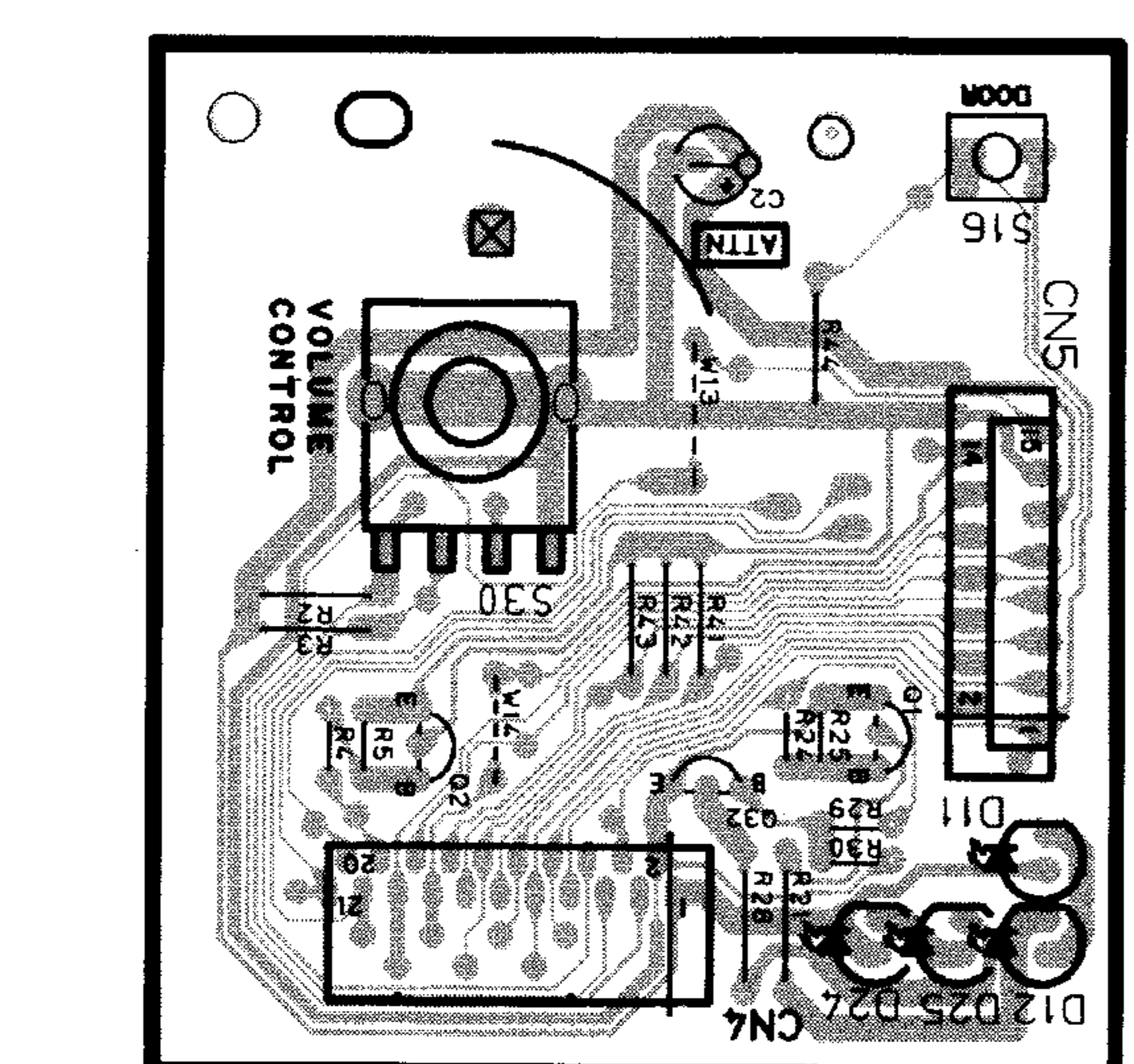
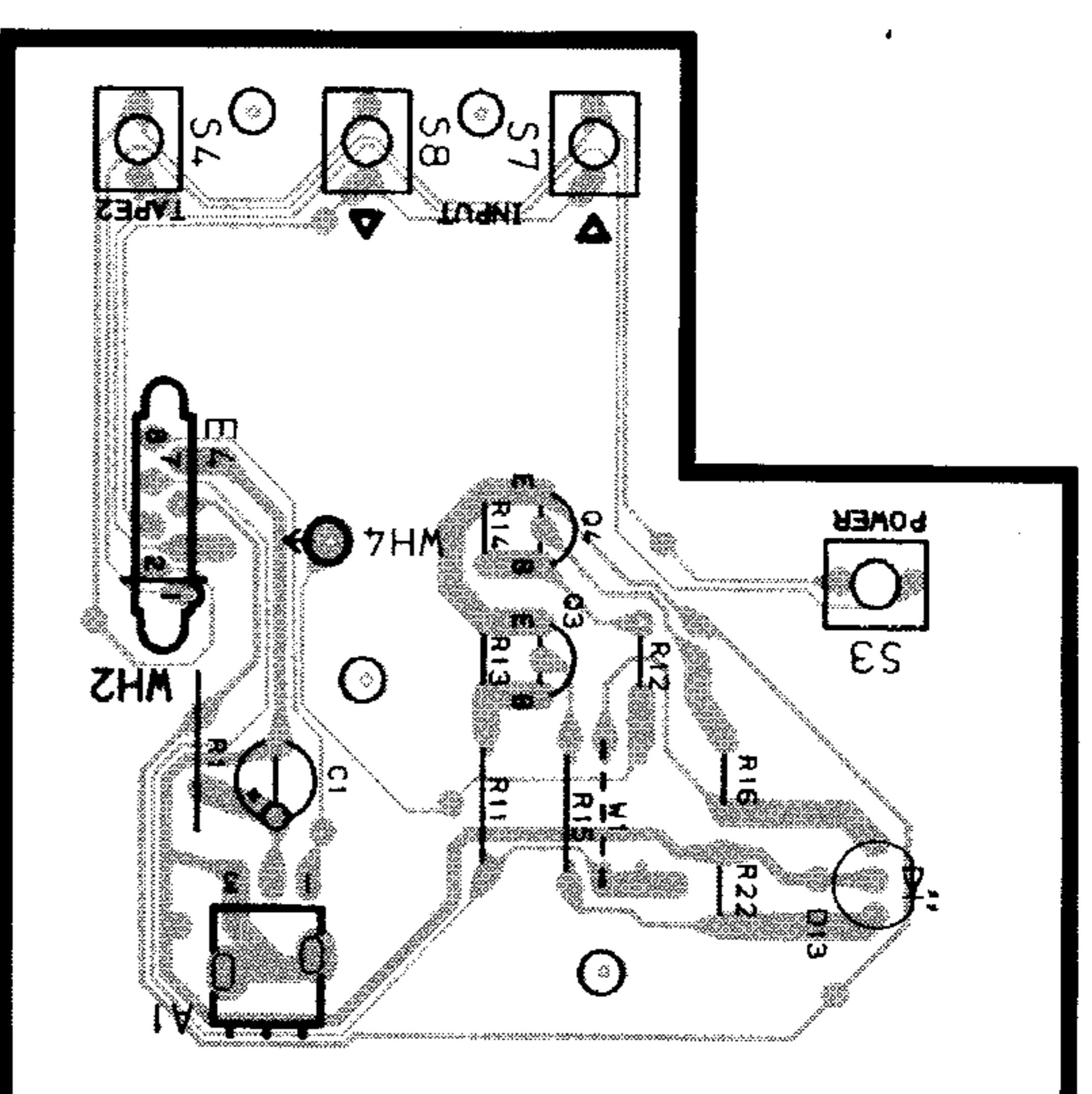


Refer to the schematic diagram for the value of resistors and capacitors.

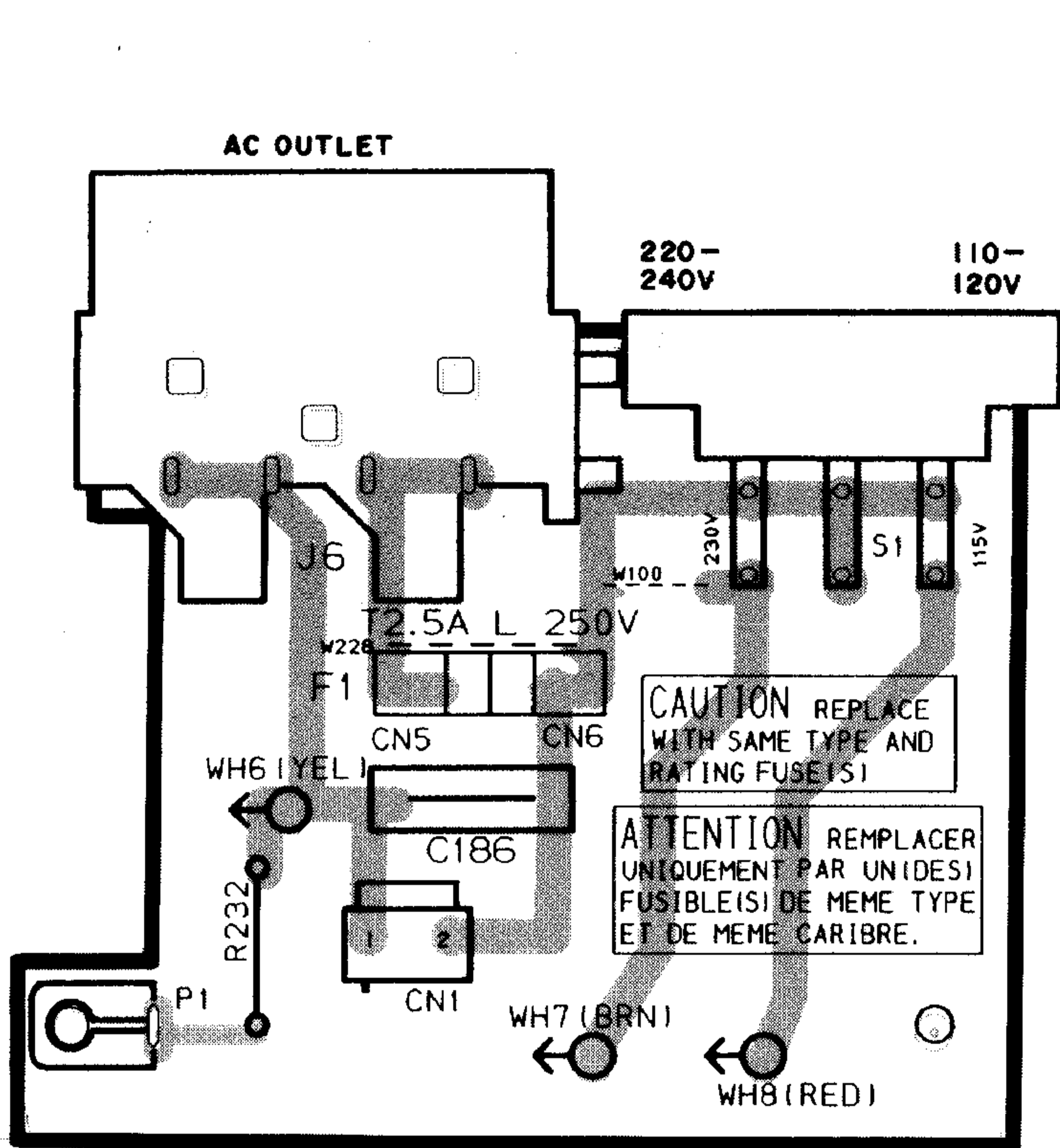
# PC BOARD(Component side view)



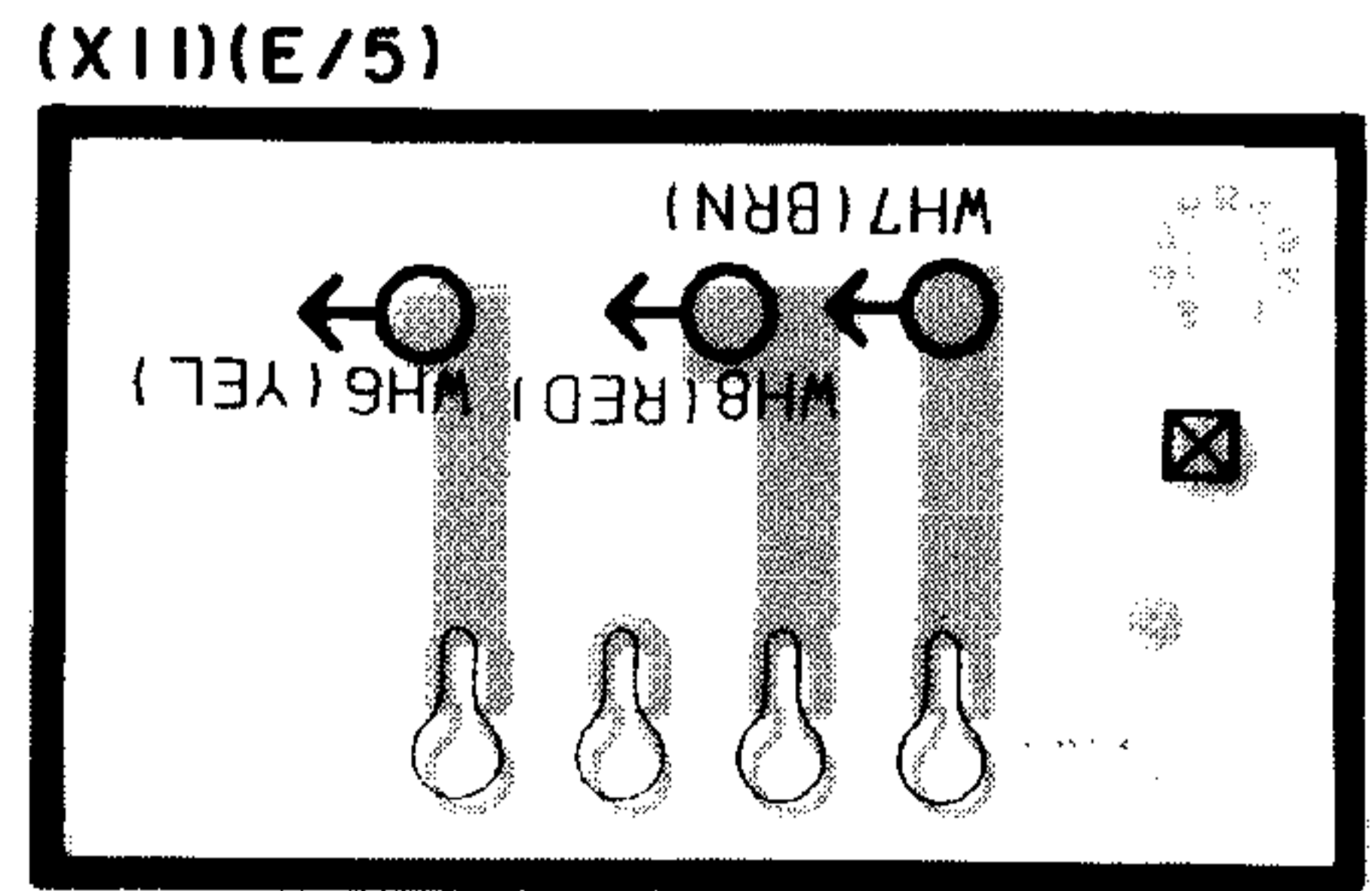
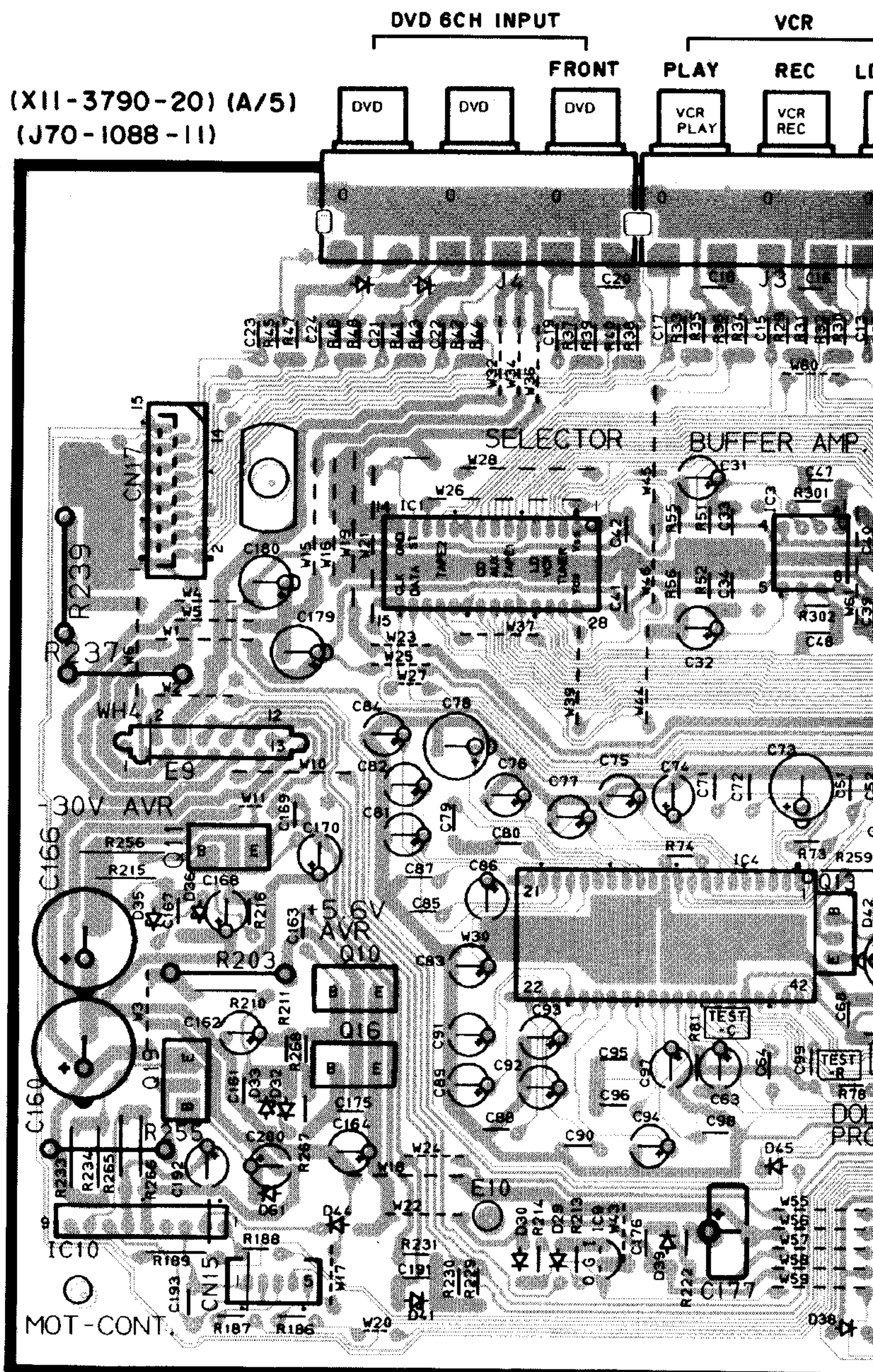
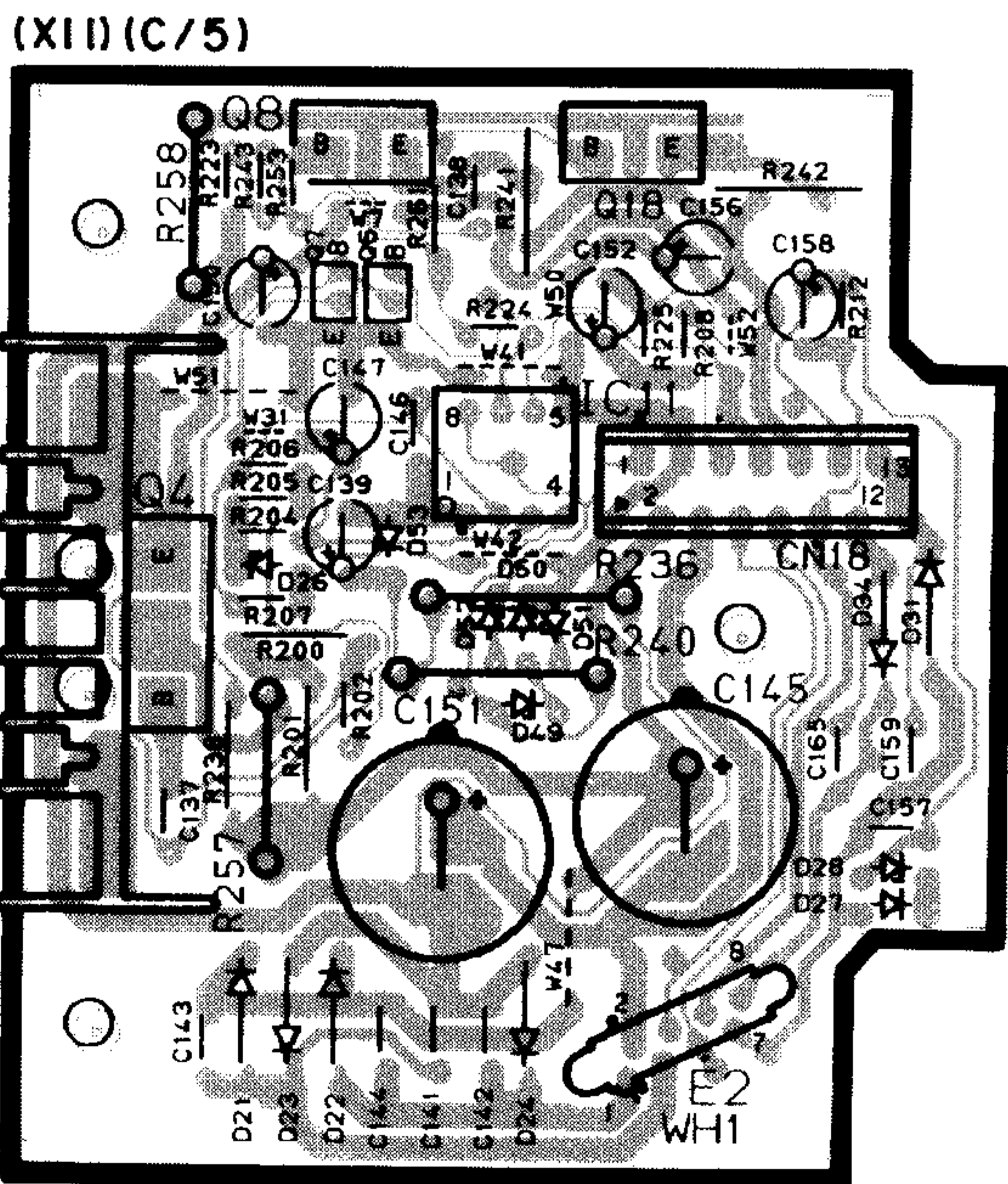
(X14-4510-20) (A/4)

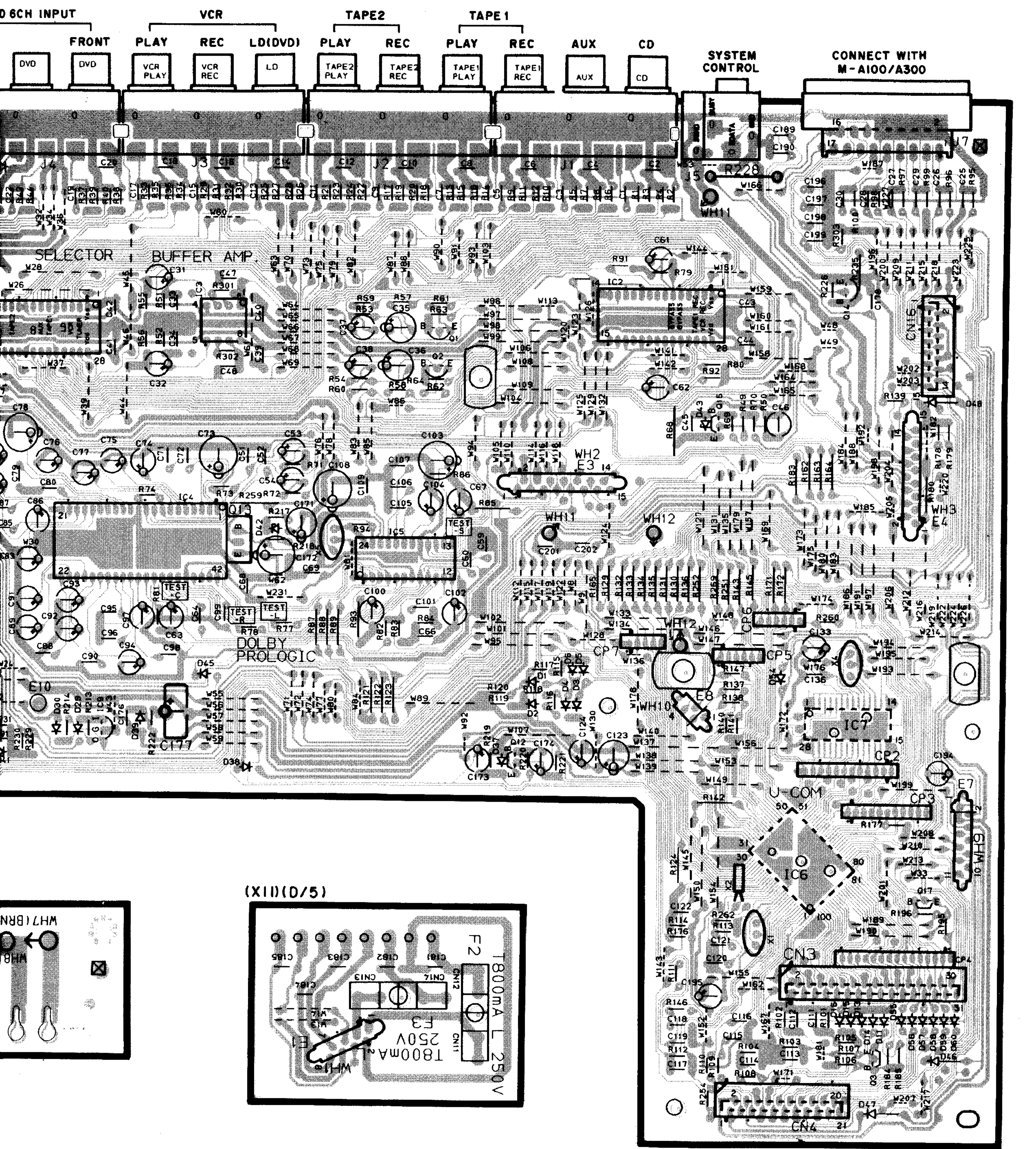


# PC BOARD(Component side view)

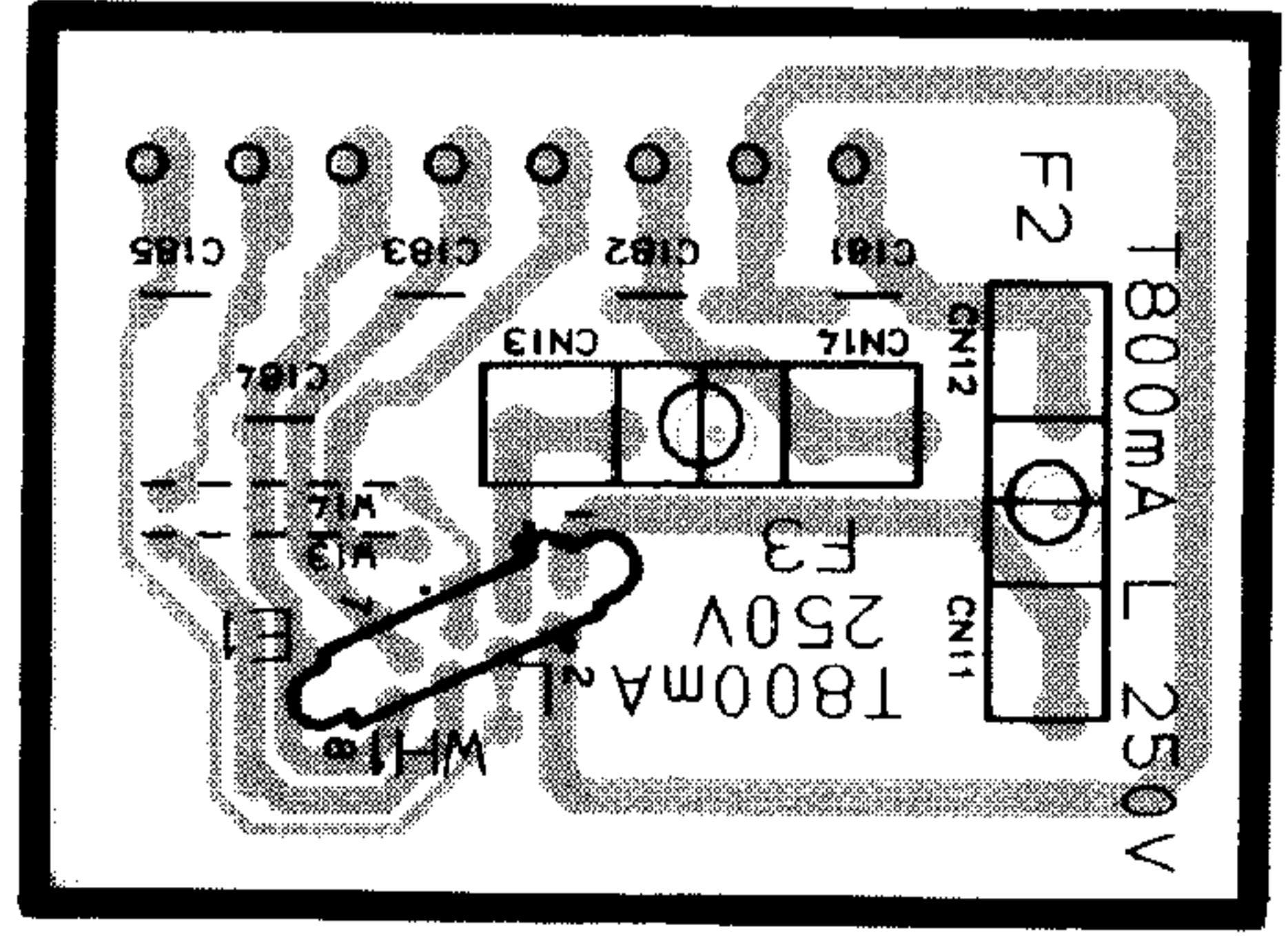
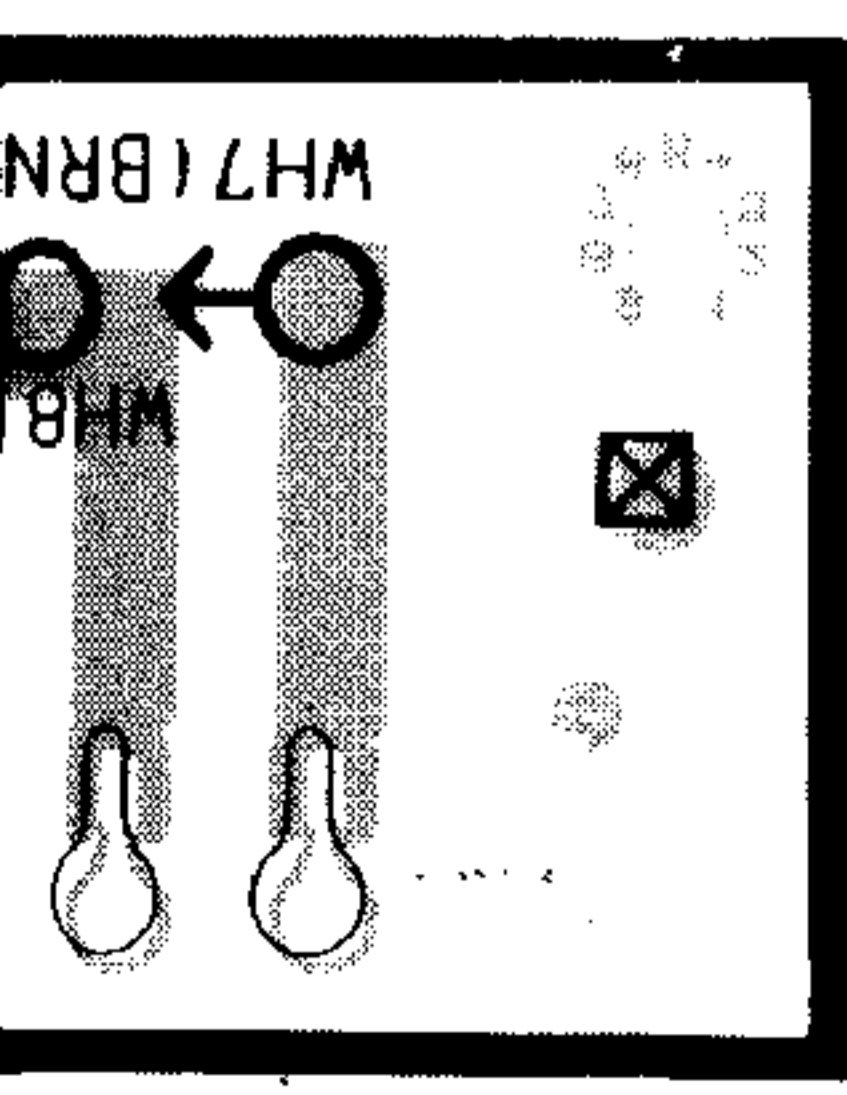


(XII)(B/5)



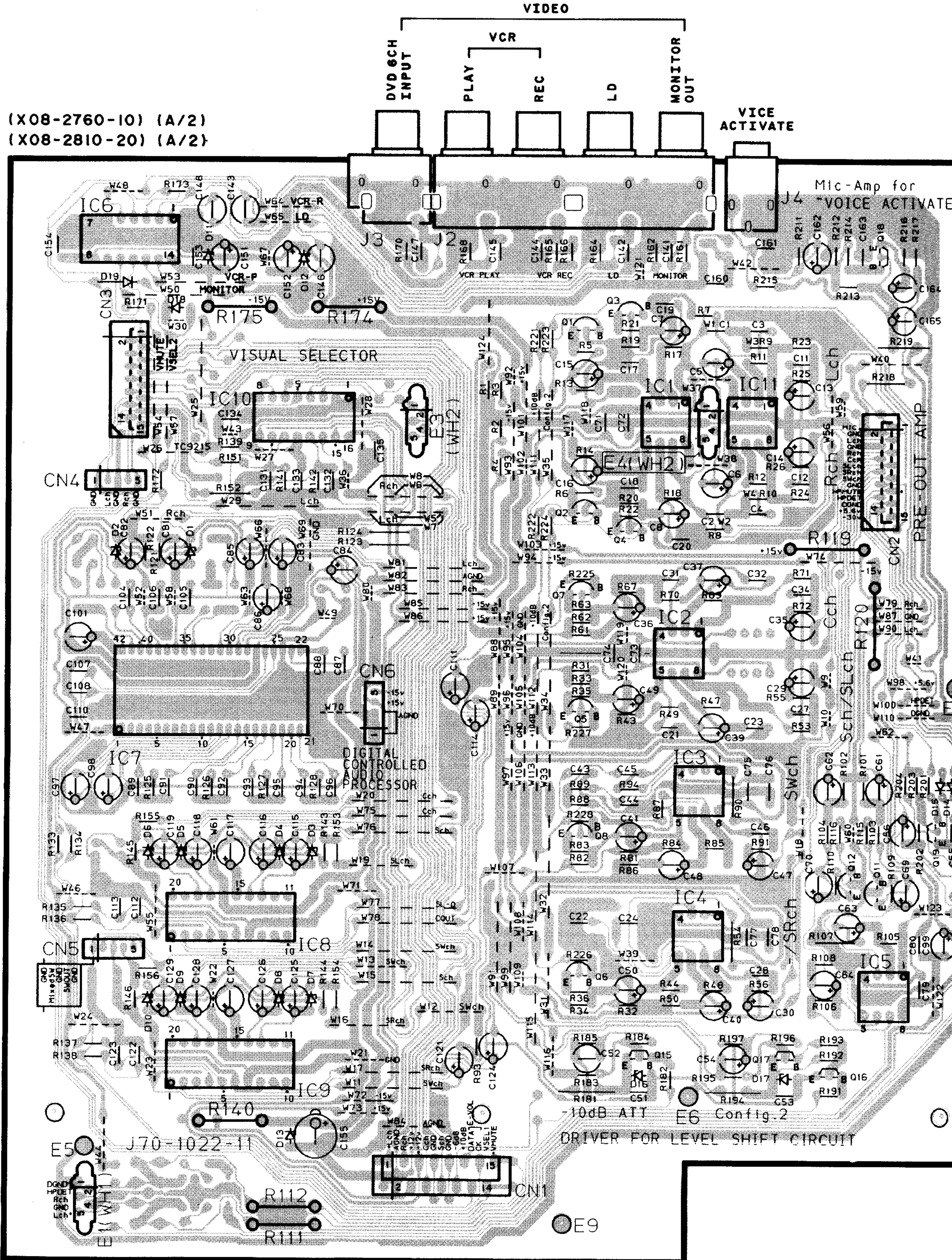


(X11)(D/5)

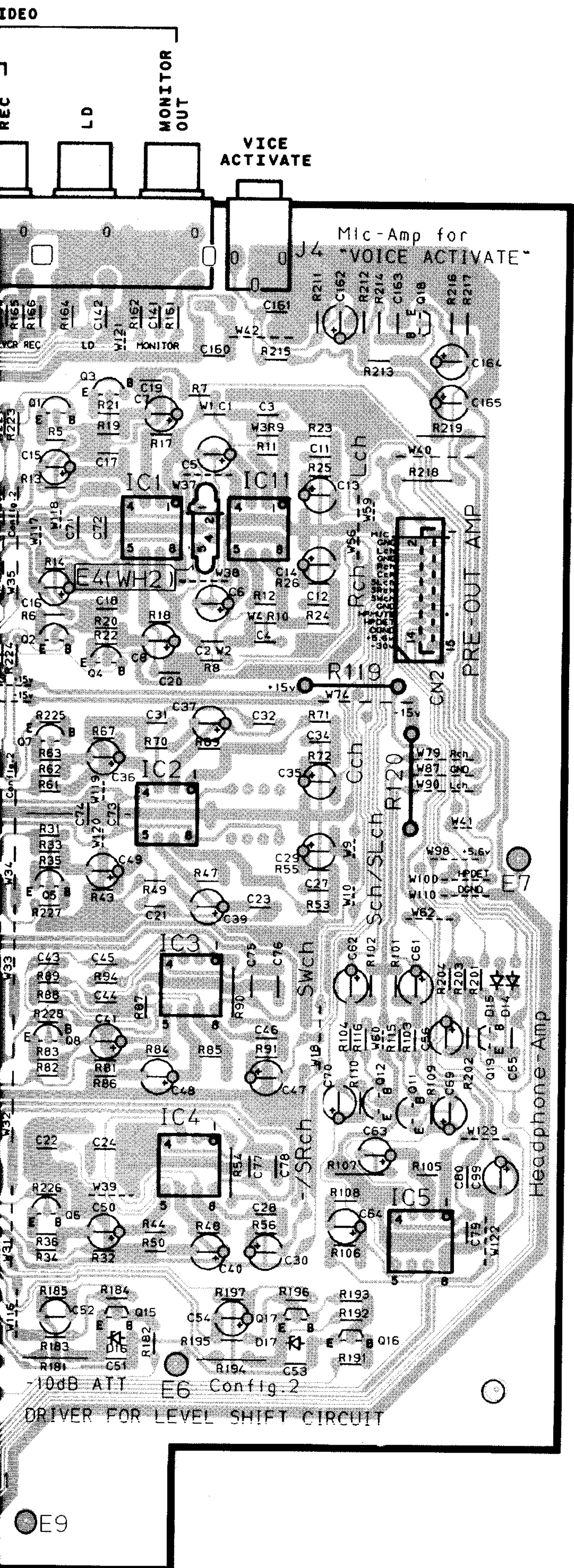


# PC BOARD(Component side view)

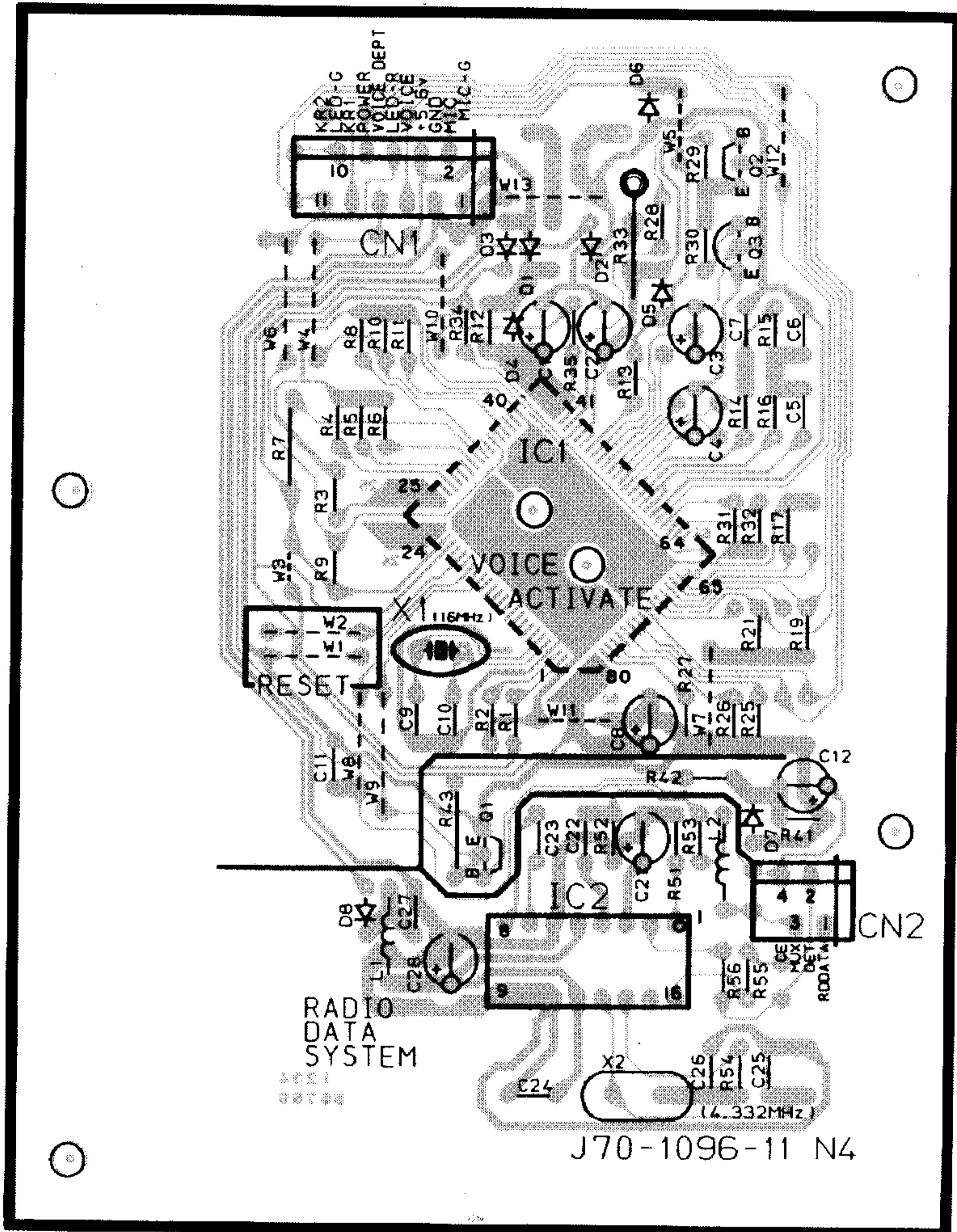
(X08-2760-10) (A/2)  
(X08-2810-20) (A/2)



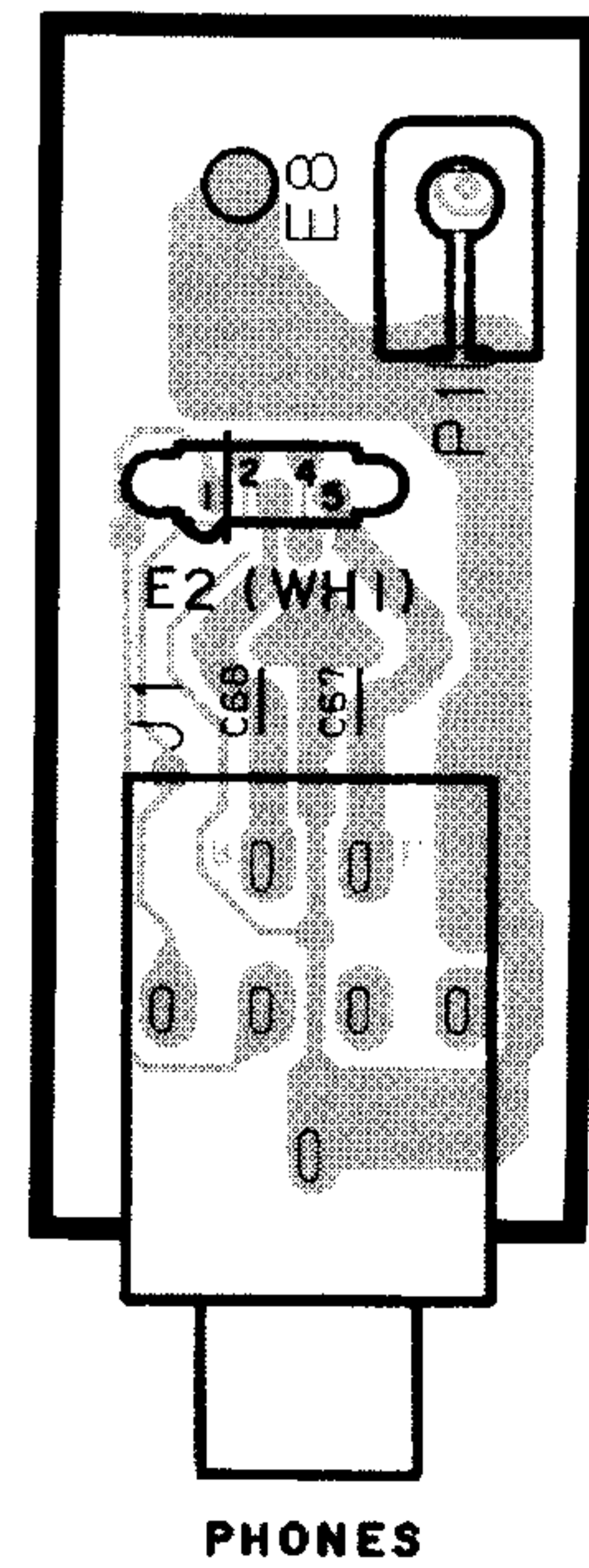
Refer to the schematic diagram for the value of resistors and capacitors.



(X13-7522-70)

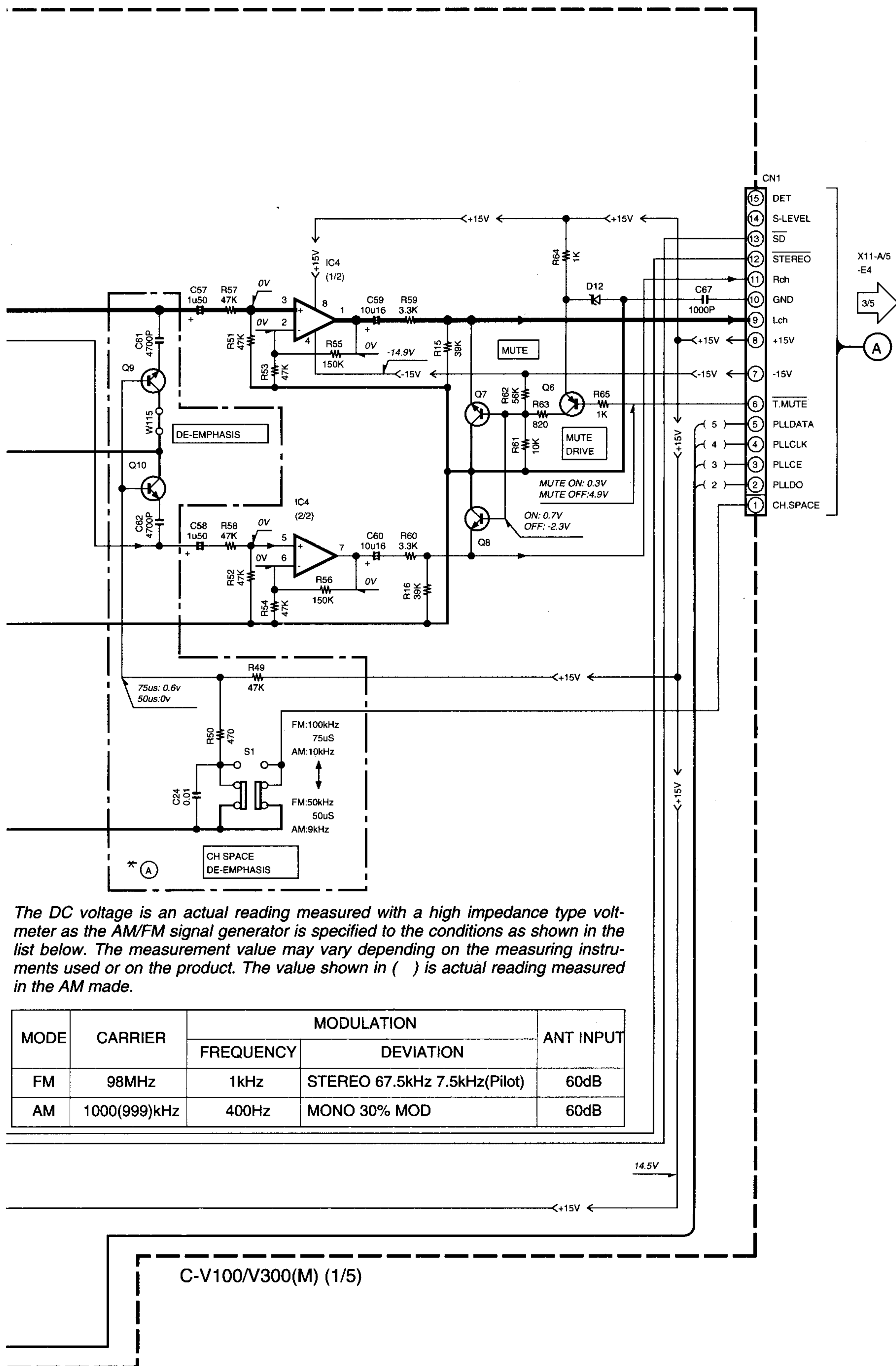


(X08- ) (B/2)









The DC voltage is an actual reading measured with a high impedance type voltmeter as the AM/FM signal generator is specified to the conditions as shown in the list below. The measurement value may vary depending on the measuring instruments used or on the product. The value shown in ( ) is actual reading measured in the AM made.

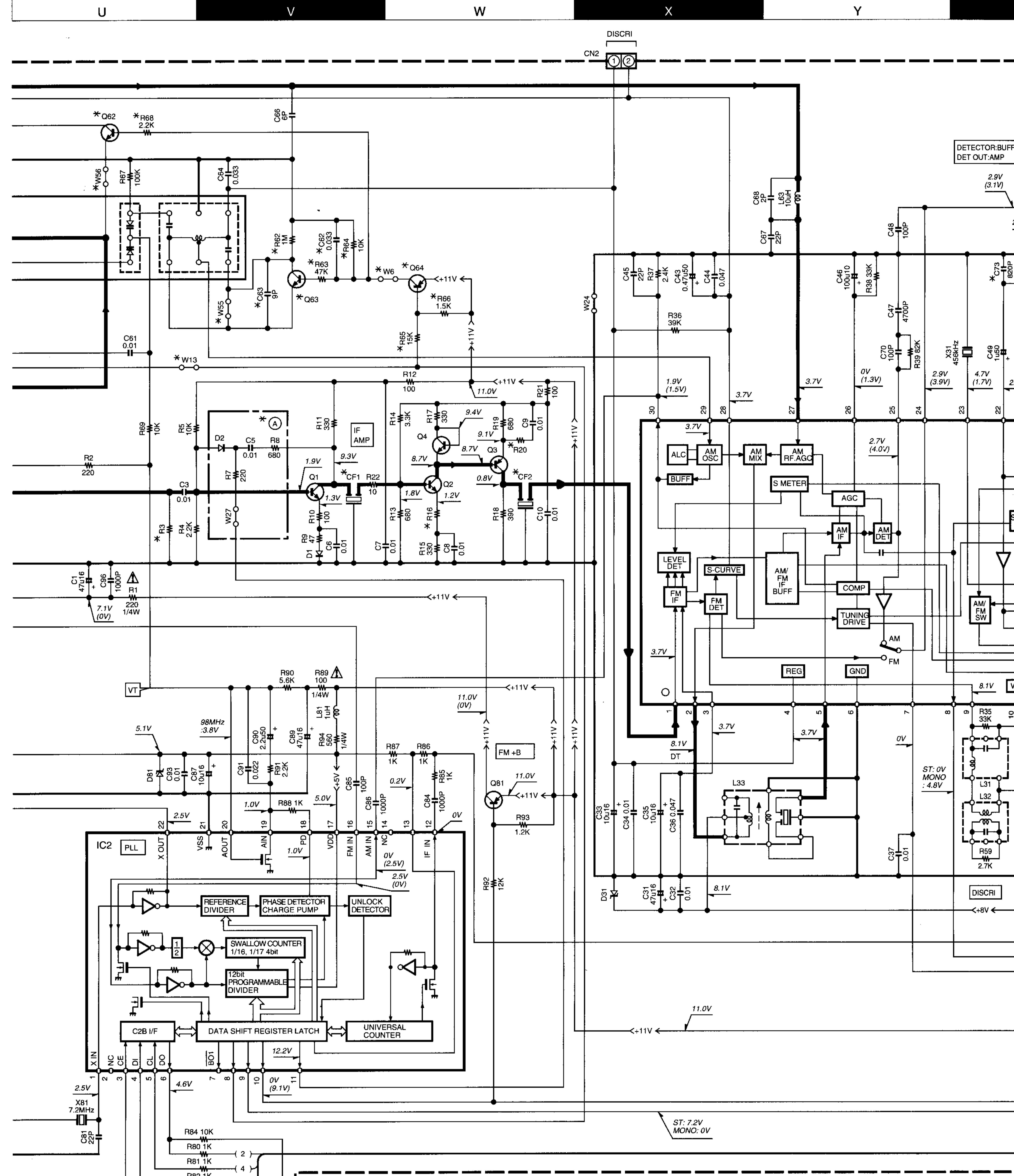
MODE	CARRIER	MODULATION		ANT INPUT
		FREQUENCY	DEVIATION	
FM	98MHz	1kHz	STEREO 67.5kHz 7.5kHz(Pilot)	60dB
AM	1000(999)kHz	400Hz	MONO 30% MOD	60dB

C-V100/V300(M) (1/5)

C-V100/V150/V300/V350

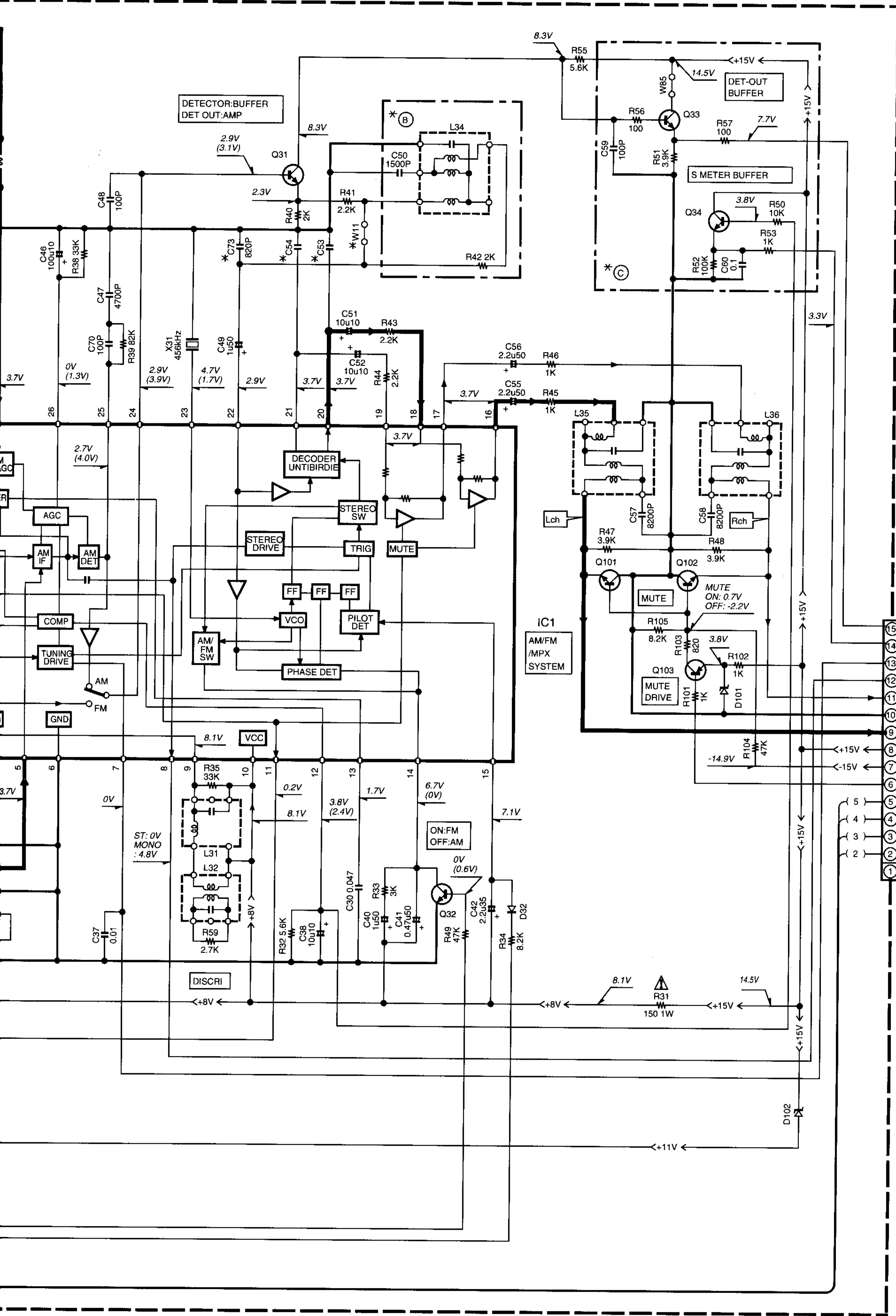
Y05-3370-10

KENWOOD



The DC voltage is an actual reading measured with a high impedance type voltmeter as the AM/FM signal generator is specified to the conditions as shown in the list below. The measurement value may vary depending on the measuring instruments used or on the product. The value shown in ( ) is actual reading measured in the AM mode.

MODE	CARRIER	MODULATION	
		FREQUENCY	
FM	98MHz	1kHz	STEREO
AM	1000(999)kHz	400Hz	MONO 30



**CAUTION:** For continued safety, replace safety critical components only with manufacturer's recommended parts (refer to parts list).  $\Delta$  indicates safety critical components. For continued protection against risk of fire, replace only with same type and rating fuse(s). To reduce the risk of electric shock, leakage-current or resistance measurements shall be carried out (exposed parts are acceptably insulated from the supply circuit) before the appliance is returned to the customer.

The DC voltage is an actual reading measured with a high impedance type voltmeter with no signal input. The measurement value may vary depending on the measuring instruments used or on the product.

- 2SC2003
  - 2SC2878
  - 2SC3246
- 

- 2SD1894
- 

- 2SA1175
  - 2SC2785
- 

- DTC124ESA
  - 2SA1048
  - 2SC1740
  - S2SC2458
- 

- UN5119
  - 2SA15862
  - SB1218A2
  - SC2714
  - 2SC4081
- 2SC4116
  - 2SD1819A
  - 2SD2114K
- 

- 2SB1370
  - 2SD2061
- 

- UN4212
  - 2SA1309A
  - 2SC3311A
- 

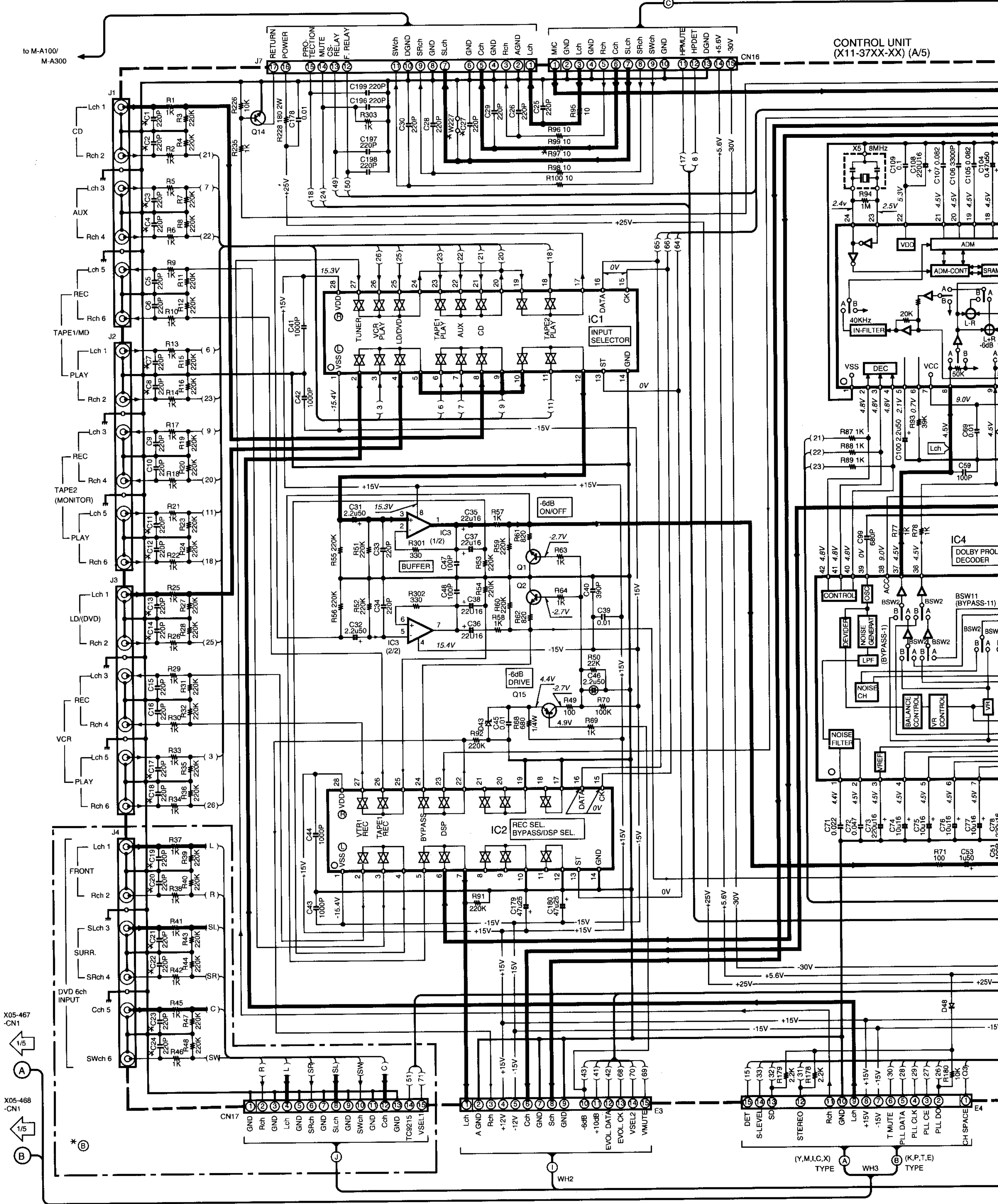
C-V100/V150/V350 (K) (2/5)

CARRIER	MODULATION		ANT INPUT
	FREQUENCY	DEVIATION	
8MHz	1kHz	STEREO 67.5kHz 7.5kHz(Pilot)	60dB
0(999)kHz	400Hz	MONO 30% MOD	60dB

Y05-3370-10

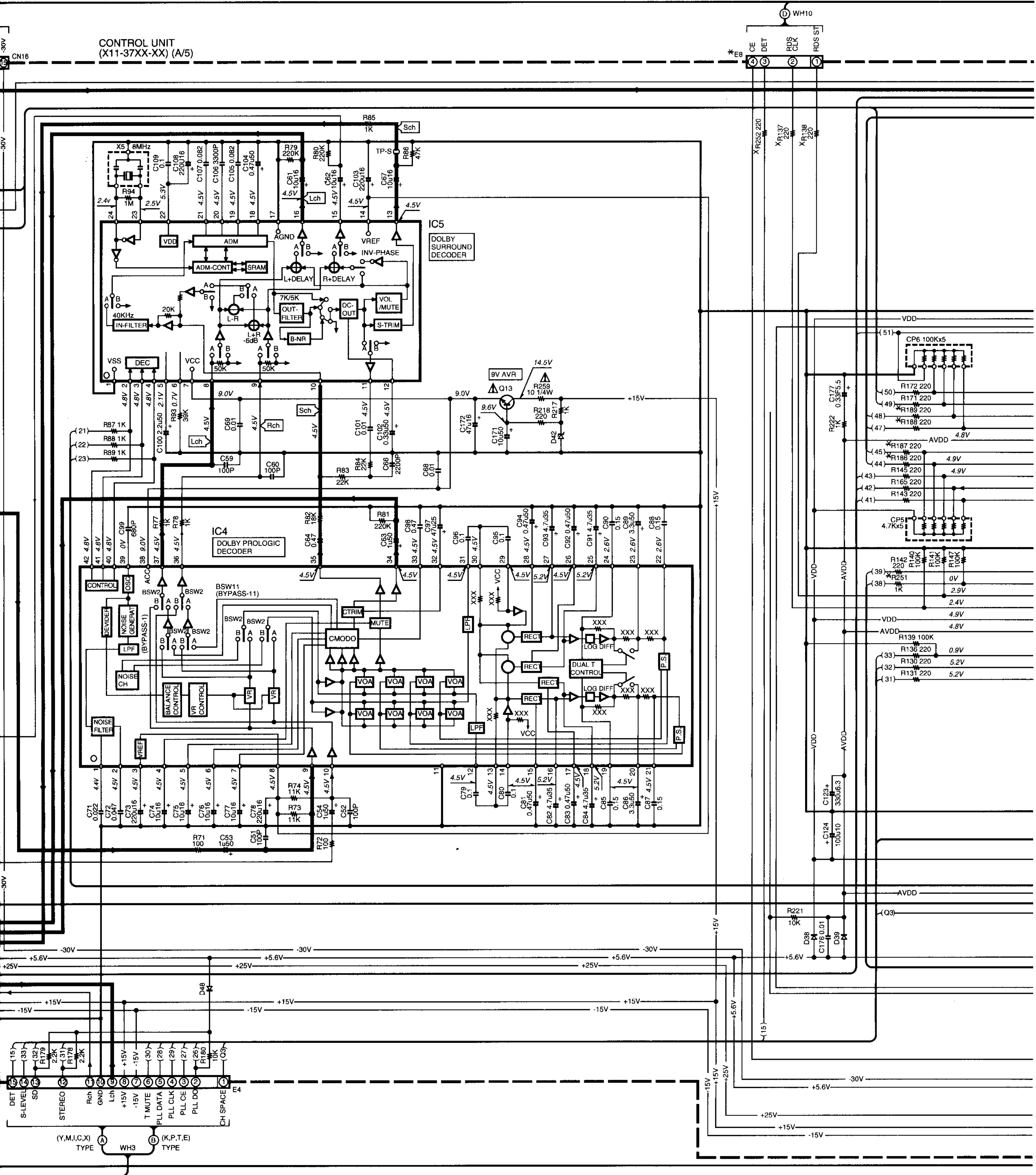
# C-V100/V150/V300/V350

KENWOOD



**CAUTION:** For continued safety, replace safety critical components only with manufacturer's recommended parts (refer to parts list).  $\Delta$  indicates safety critical components. For continued protection against risk of fire, replace only with same type and rating fuse(s). To reduce the risk of electric shock, leakage-current or resistance measurements shall be carried out (exposed parts are acceptably insulated from the supply circuit) before the appliance is returned to the customer.

DOLBY and the Laboratories L made under Corporation.



CONTROL UNIT  
(X11-37XX-XX) (A/5)

IC5  
DOLBY  
SURROUND  
DECODER

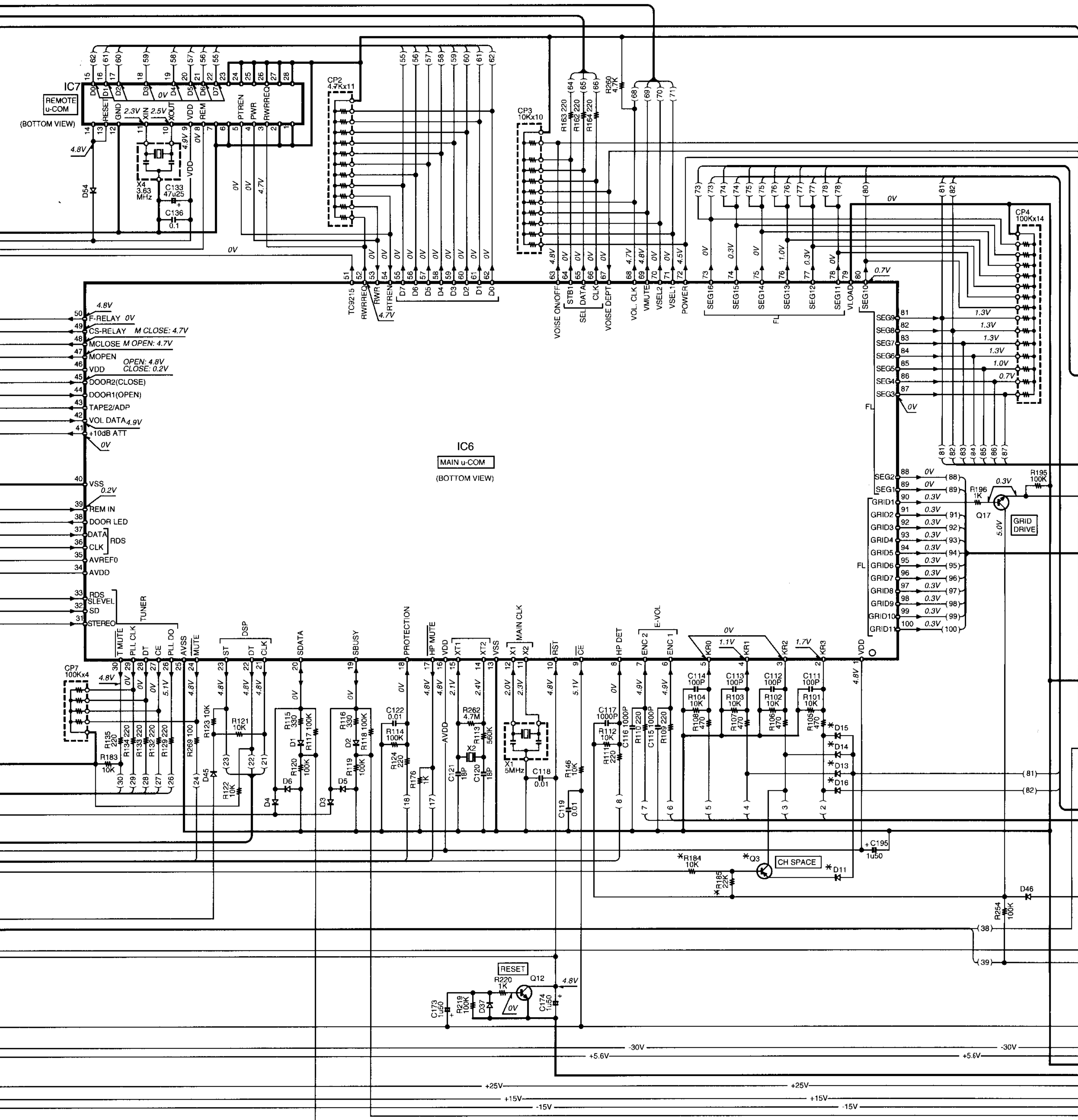
IC4  
DOLBY PROLOGIC  
DECODER

DOLBY and the double-D symbol are trademarks of Dolby Laboratories Licensing Corporation. Noise reduction circuit made under license from Dolby Laboratories Licensing Corporation.

The DC voltage is an actual reading measured with a high impedance type voltmeter with no signal input. The measurement value may vary depending on the measuring instruments used or on the product.

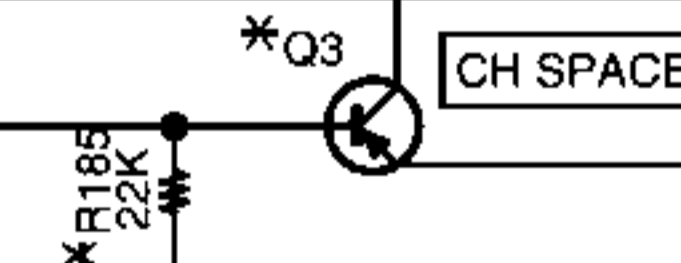
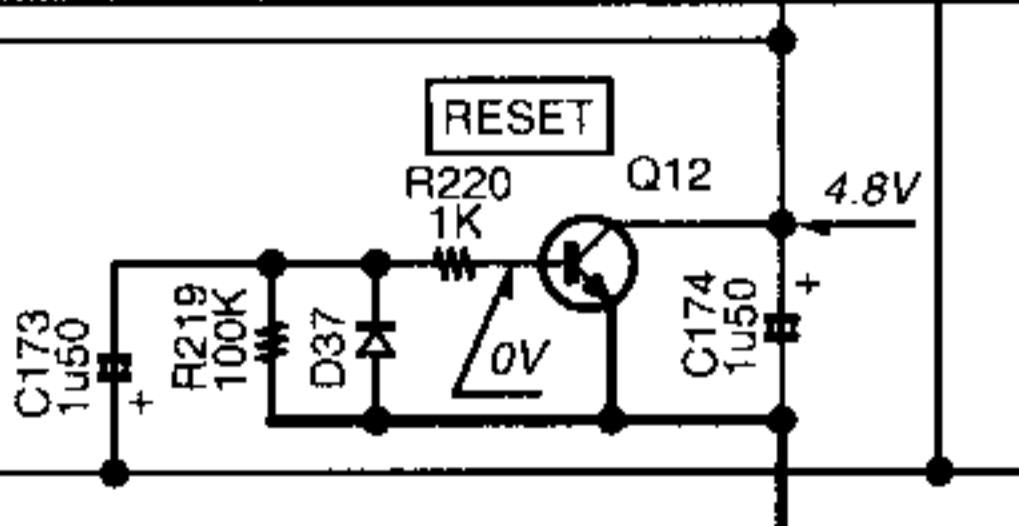
REMOTE u-COM (BOTTOM VIEW)

IC6 MAIN u-COM (BOTTOM VIEW)

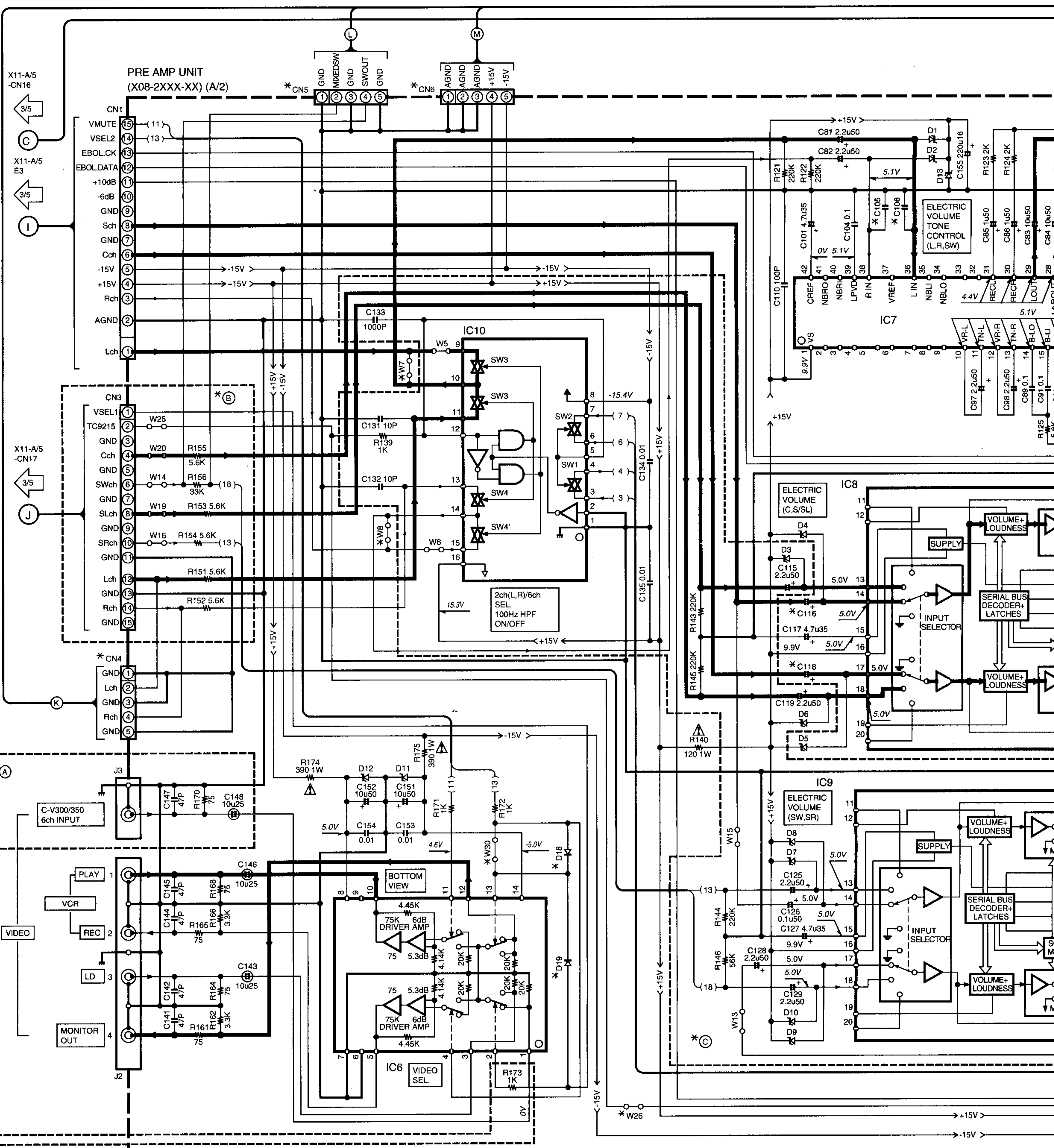


- 50 4.8V
- 49 F-RELAY 0V
- 48 GS-RELAY M CLOSE: 4.7V
- 47 MCLOSE M OPEN: 4.7V
- 46 MOPEN
- 45 VDD OPEN: 4.8V  
CLOSE: 0.2V
- 44 DOOR2(CLOSE)
- 43 DOOR1(OPEN)
- 42 TAPE2/ADP
- 41 VOL DATA 4.9V
- 40 +10dB ATT 0V
- 39 VSS 0.2V
- 38 REM IN
- 37 DOOR LED
- 36 DATA
- 35 RDS
- 34 AVREF0
- 33 AVDD
- 32 RDS
- 31 SLEVEL
- 30 SD
- 29 STEREO
- 28 TUNER
- 27 T MUTE
- 26 PLL CLK
- 25 DT
- 24 CE
- 23 PLL DO
- 22 AVSS
- 21 MUTE
- 20 ST
- 19 DSP
- 18 DT
- 17 CLK
- 16 SDATA
- 15 SBUSY
- 14 PROTECTION
- 13 HP MUTE
- 12 VDD
- 11 XT1
- 10 XT2
- 9 VSS
- 8 X1
- 7 X2
- 6 MAIN CLK
- 5 RST
- 4 CE
- 3 E-VOL
- 2 HP DET
- 1 ENC 2
- 0 ENC 1

- 81 0V
- 82 1.3V
- 83 1.3V
- 84 1.3V
- 85 1.0V
- 86 0.7V
- 87 0V
- 88 0V
- 89 0V
- 90 0.3V
- 91 0.3V
- 92 0.3V
- 93 0.3V
- 94 0.3V
- 95 0.3V
- 96 0.3V
- 97 0.3V
- 98 0.3V
- 99 0.3V
- 100 0.3V



PRE AMP UNIT  
(X08-2XXX-XX) (A/2)



(X08-2760-10)

IC1,5,11 : NJM4580D-D  
 IC2-4 : NJM4565D-D  
 IC6 : NJM2279D  
 IC7 : TDA7466  
 IC8,9 : TDA7309  
 IC10 : TC9215AP

Q1-8,11,12 : 2SC2878(B)  
 Q15,17,19 : 2SA1048(Y,GR) or 2SA1309A(Q,R)  
 Q16,18 : 2SC2458(Y,GR) or 2SC3311A(Q,R)  
 D1-10 : RD8.2ES(B2) or HZS8.2N(B2)  
 D11,12 : RD5.1ES(B2) or HZS5.1N(B2)  
 D13 : RD10ES(B2) or HZS10N(B2)  
 D14,15,18,19 : 1SS131 or HSS104A  
 D16 : RD3.9ES(B2) or HZS3.9N(B2)

(X08-2810-20)

IC1,5,11 : NJM4580D-D  
 IC2-4 : NJM4565D-D  
 IC6 : NJM2279D  
 IC7 : TDA7466  
 IC8,9 : TDA7309  
 IC10 : TC9215AP

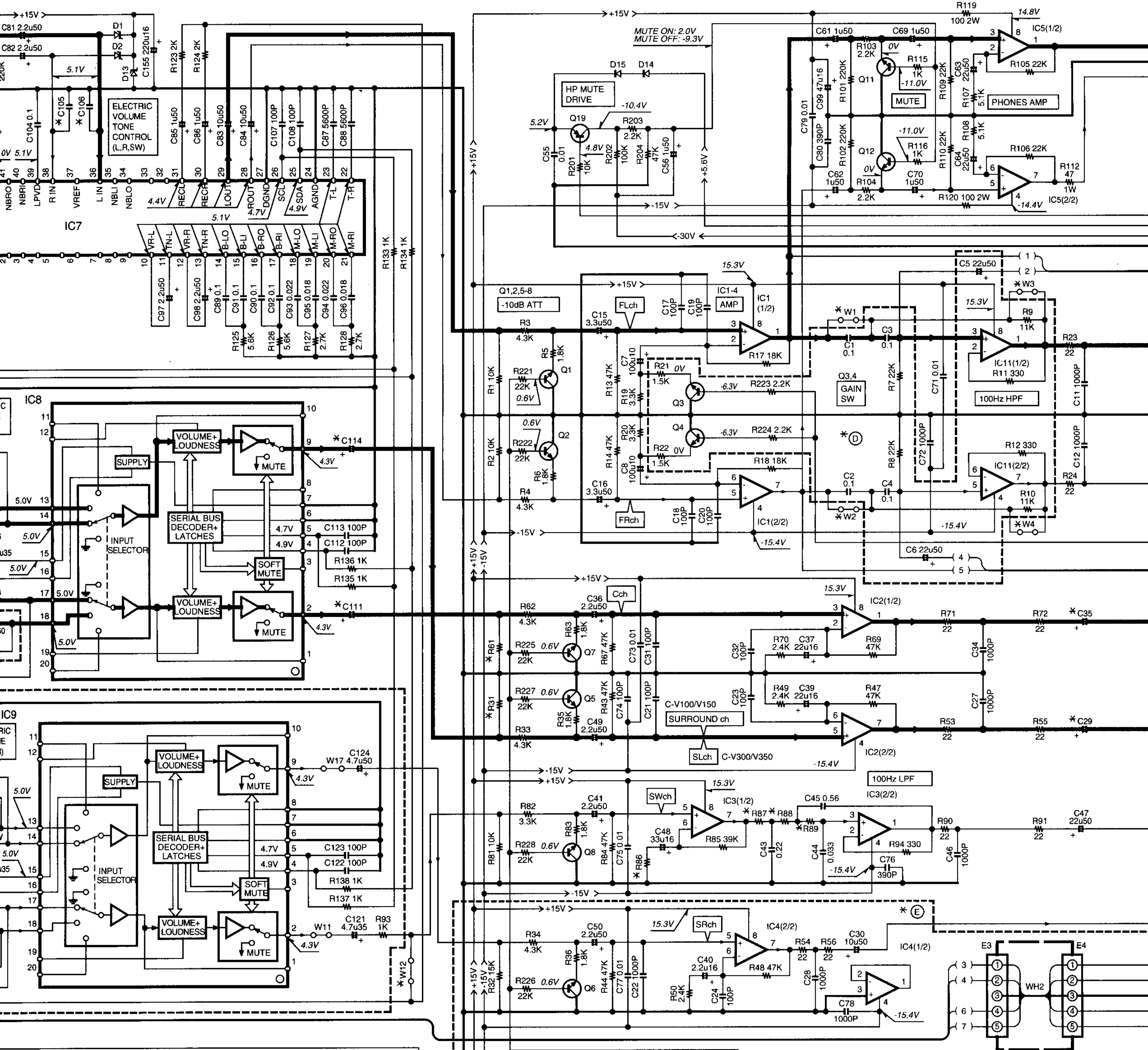
Q1-8,11,12 : 2SC2878(B)  
 Q15,17,19 : 2SA933AS(Q,R) or 2SA1175S  
 Q16,18 : 2SC1740S(Q,R) or 2SC2785S  
 D1-10 : MTZJ8.2(B) or UZ-8.2BSB  
 D11,12 : MTZJ5.1(B) or UZ-5.1BSB  
 D13 : MTZJ10(B) or UZ-10BSB  
 D14,15,18,19 : 1SS131 or HSS104A  
 D16 : MTZJ3.9(B) or UZ-3.9BSB

X11-A/5 -E9

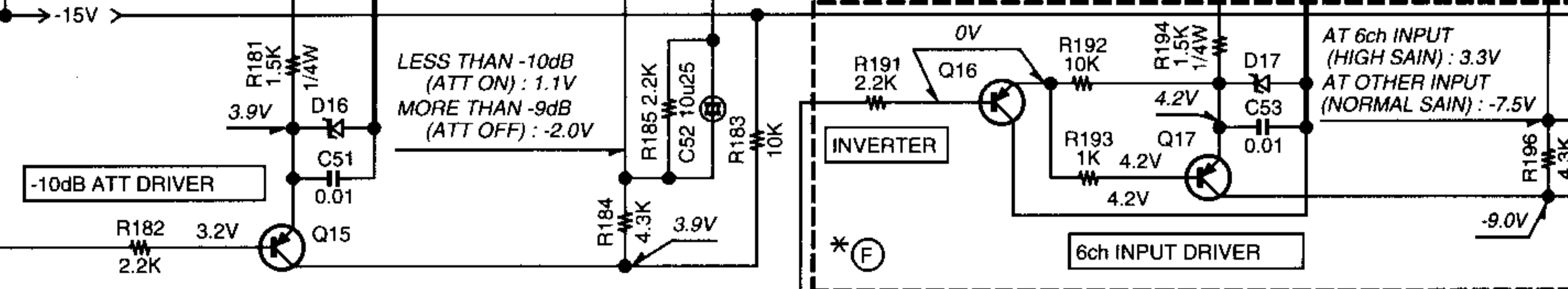
3/5

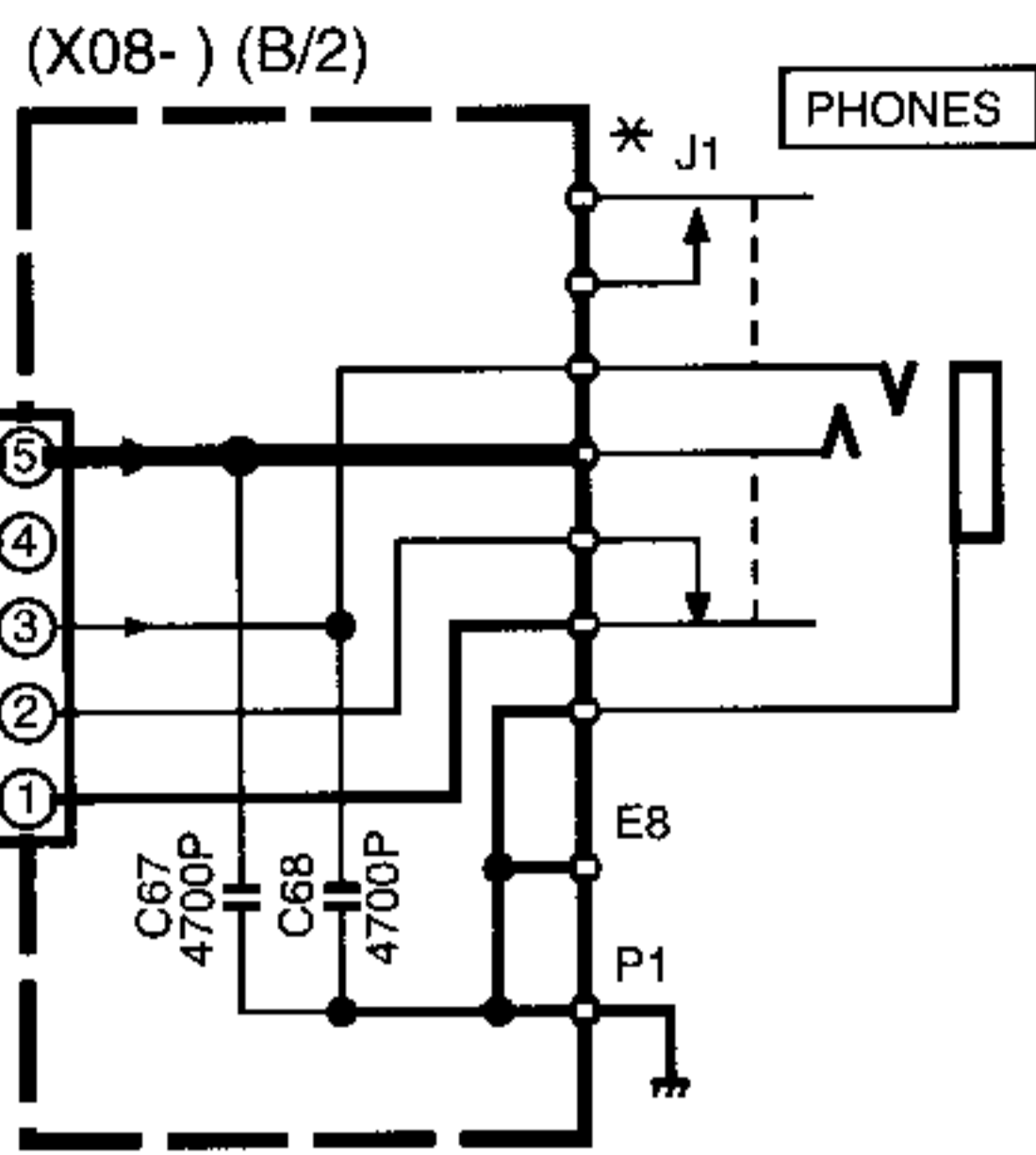
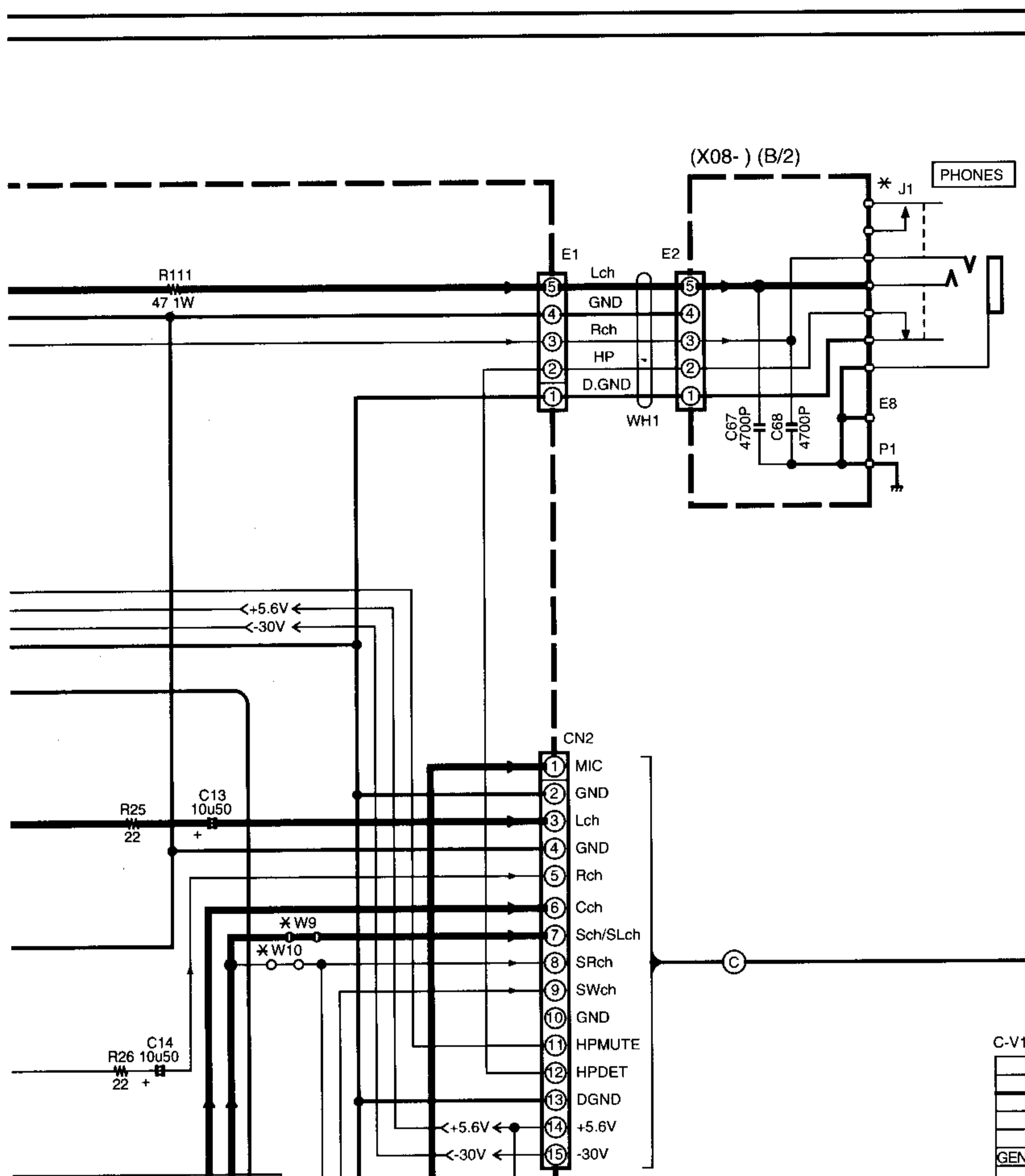
H





- Q1-8,11,12 : 2SC2878(B)
- Q15,17,19 : 2SA933AS(Q,R) or 2SA1175(F,E)
- Q16,18 : 2SC1740S(Q,R) or 2SC2785(F,E)
- D1-10 : MTZJ8.2(B) or UZ-8.2BSB
- D11,12 : MTZJ5.1(B) or UZ-5.1BSB
- D13 : MTZJ10(B) or UZ-10BSB
- D14,15,18,19 : 1SS131 or HSS104A
- D16 : MTZJ3.9(B) or UZ-3.9BSB





C-V100

DESTINATION	COUNTRY	ABB	UNIT No.	A - G	D18, 19	W1-4,7,8,10,12,29,30	W5,6,9,11,13-17,19-28,31-36,39,41-43	C29, 35	C48	C105, 106	C111, 114	C116, 118	C160	
GENERAL MARKET	AUSTRALIA	X	X08-2810-20		NO	NO	YES		0.1u50	47u16	100P	1u50	2.2u50	NO
	CHINA	I												
	MALAYSIA	I												
	U.S.A.	K												
	CANADA	P	X08-2760-10											
	MALAYSIA	I												

C-V150

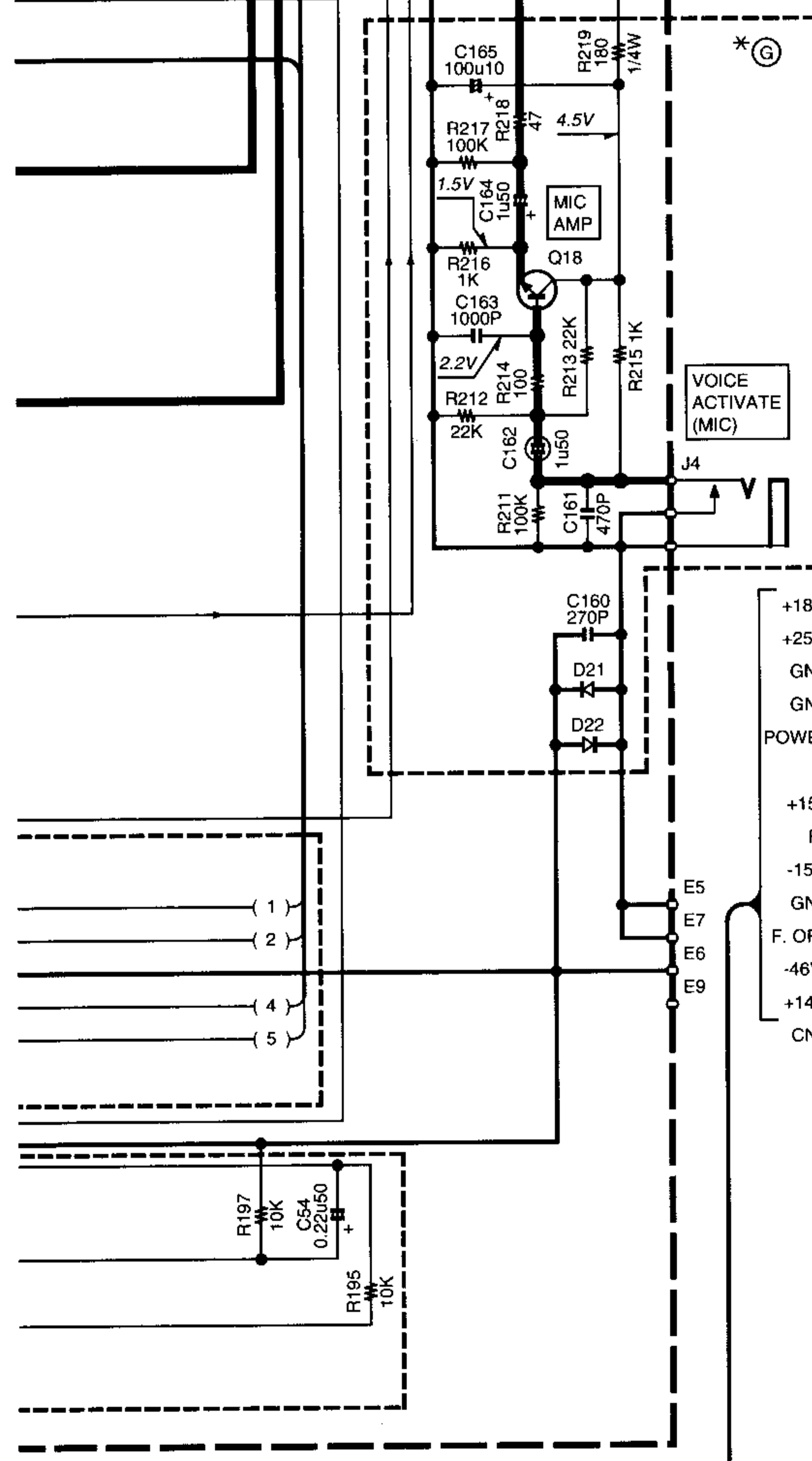
DESTINATION	COUNTRY	ABB	UNIT No.	A - F	G	D18, 19	W1-4,7,8,10,12,29,30,41,42	W5,6,9,11,13-17,19-28,31-36,39,43	C29, 35	C48	C105, 106	C111, 114	C116, 118	C160	J1
EUROPE	U.K.	E		NO	YES	NO	YES		0.1u50	47u16	100P	1u50	2.2u50	YES	E11-0280-05

C-V300

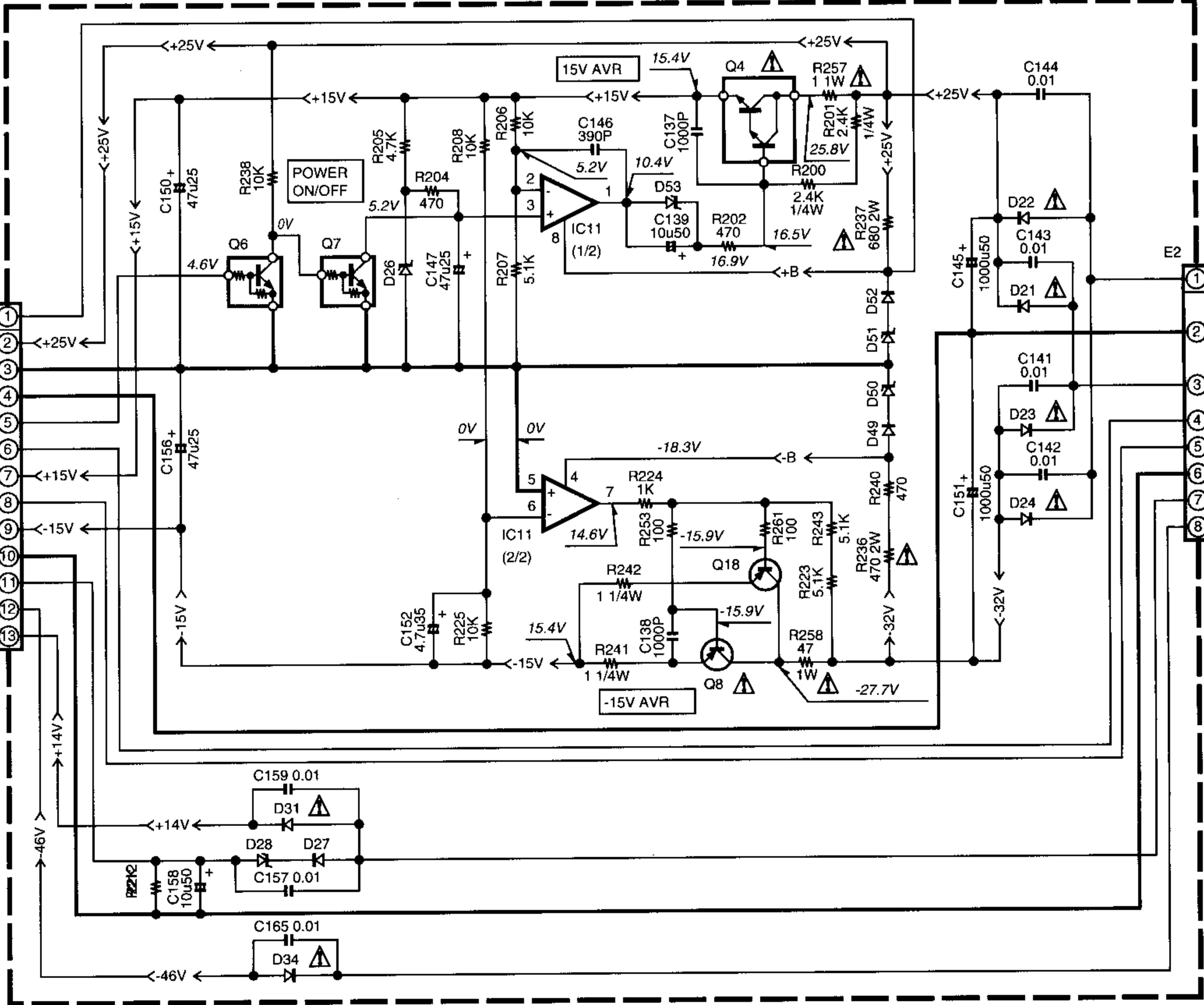
DESTINATION	COUNTRY	ABB	UNIT No.	A - F	G	D18, 19	W1-4,7,8,10,12,29,30	W5,6,9,11,13-17,19-28,31-36,39,41-43	C29, 35	C48	C105, 106	C111, 114	C116, 118	C160	J1
GENERAL MARKET	AUSTRALIA	M		YES	NO	YES	NO	YES	10u50	22u50	10P	4.7u50	0.1u50	NO	E11-0282-05
	CHINA	X													
	MALAYSIA	I													

C-V350

DESTINATION	COUNTRY	ABB	UNIT No.	A - G	D18, 19	W1-4,7,8,10,12,29,30	W5,6,9,11,13-17,19-28,31-36,39,41-43	C29, 35	C48	C105, 106	C111, 114	C116, 118	C160	J1
EUROPE	U.K.	E		YES	YES	NO	YES	10u50	22u50	10P	4.7u50	0.1u50	YES	E11-0280-05



CONTROL UNIT (X11-37XX-XX) (C/5)



C-V100

DESTINATION	COUNTRY	ABB	UNIT No.	F1	F2,3	CN1	CN5,6	S1	R232	P1	W100	W228	J6	WH8
U.S.A.	K	X11-3730-10		NO	1.25A 250V	E40-8126-05		NO	YES	YES	YES		E03-0148-05	NO
CANADA	P	X11-3732-91						NO	NO	NO	NO	YES	E03-0149-05	YES
GENERAL MARKET	M	X11-3790-20		NO	T800mA L 250V			YES	NO	NO	NO		E03-0330-05	NO
	CHINA	C	X11-3793-01			E40-4245-05		NO	NO	NO	YES		E03-0325-05	NO
	AUSTRALIA	X	X11-3790-71					NO	NO	NO	NO			NO

C-V150

DESTINATION	COUNTRY	ABB	UNIT No.	F1	F2,3	CN1	CN5,6	S1	R232	P1	W100	W228	J6	WH8
U.K.	T	X11-3530-51		YES	T800mA L 250V	E40-8126-05	YES	NO	NO	NO	YES	NO	E03-0310-05	NO
EUROPE	E	X11-3532-71						NO	NO	NO	NO	NO	E03-0149-05	NO

C-V300

DESTINATION	COUNTRY	ABB	UNIT No.	F1	F2,3	CN1	CN5,6	S1	R232	P1	W100	W228	J6	WH8
GENERAL MARKET	AUSTRALIA	M												
	CHINA	X												
	MALAYSIA	I												

C-V350

DESTINATION	COUNTRY	ABB	UNIT No.	F1	F2,3	CN1	CN5,6	S1	R232	P1	W100	W228	J6	WH8
GENERAL MARKET	AUSTRALIA	M												
	CHINA	X												
	MALAYSIA	I												

- D21-24,31,34
- D26,53
- D27
- D28
- D49
- D50,51
- D52
- IC11
- Q4
- Q6,7
- Q8,18

6,9,11,13-17,19-31-36,39,41-43	C29, 35	C48	C105, 106	C111, 114	C116, 118	C160	J1	R31,61, 87-89	R86	CN4-6
NO	0.1u50	47u16	100P	1u50	2.2u50	NO	E11-0282-05	10K	470	NO
							E11-0280-05			

-17,19-39,43	C29, 35	C48	C105, 106	C111, 114	C116, 118	C160	J1	R31,61, 87-89	R86	CN4-6
	0.1u50	47u16	100P	1u50	2.2u50	YES	E11-0280-05	10K	470	NO

19-43	C29, 35	C48	C105, 106	C111, 114	C116, 118	C160	J1	R31, 61	R86	R87-89	CN4-6
	10u50	22u50	10P	4.7u50	0.1u50	NO	E11-0282-05	15K	820	11K	YES

C29, 35	C48	C105, 106	C111, 114	C116, 118	C160	J1	R31, 61	R86	R87-89	CN4-6
10u50	22u50	10P	4.7u50	0.1u50	YES	E11-0280-05	15K	820	11K	YES

S1	R232	P1	W100	W228	J6	WH8
NO	YES	YES	YES		E03-0148-05	NO
YES	NO	NO	NO	YES	E03-0149-05	YES
NO			YES		E03-0330-05	NO
					E03-0325-05	NO

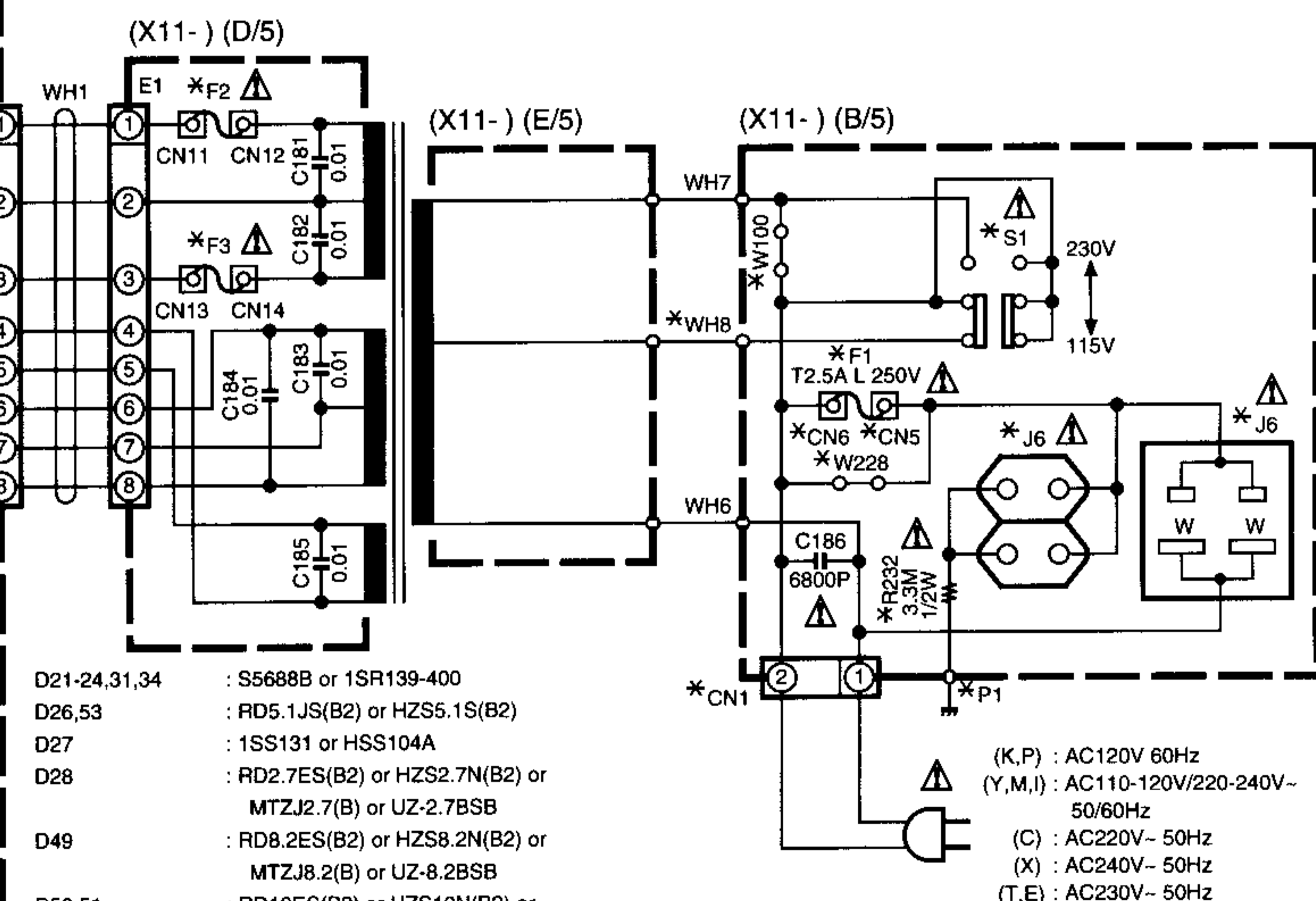
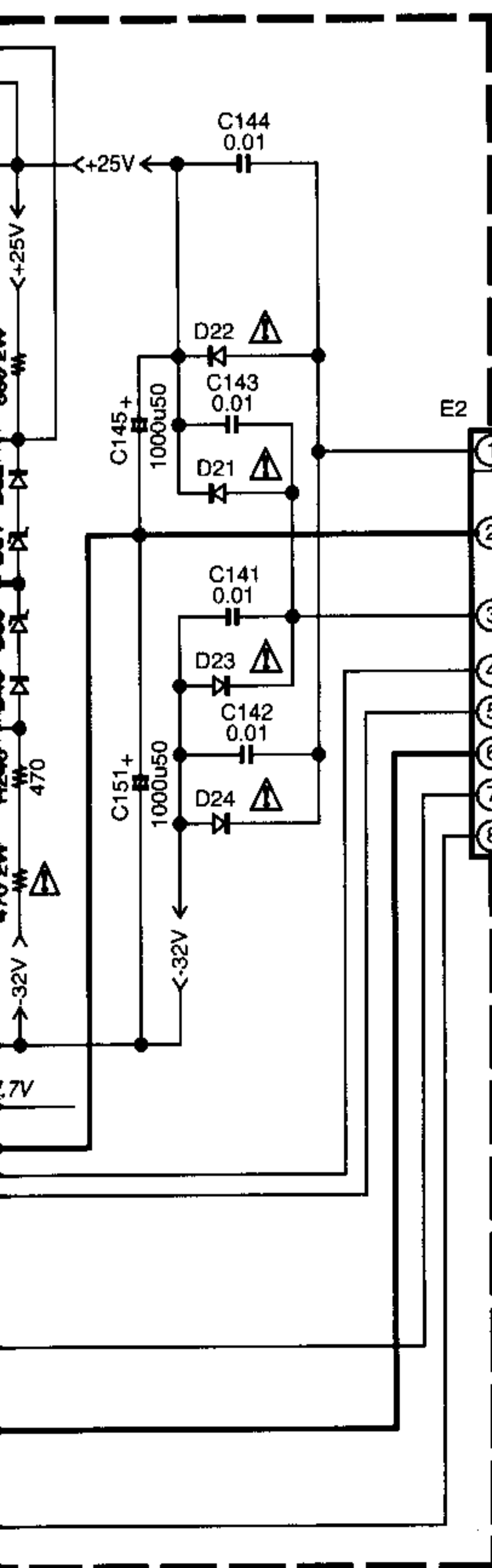
S1	R232	P1	W100	W228	J6	WH8
NO	NO	NO	YES	NO	E03-0310-05	NO
					E03-0149-05	NO

C-V300

DESTINATION	COUNTRY	ABB	UNIT No.	F1	F2,3	CN1	CN5,6	S1	R232	P1	W100	W228	J6	WH8
GENERAL MARKET	M		X11-3790-21		T800mA L 250V	E40-4245-05	NO	YES	NO	NO	NO	YES	E03-0149-05	YES
MALAYSIA	T			NO			NO	NO	NO	NO	NO	YES	E03-0330-05	NO
CHINA	C		X11-3793-02				NO	NO	NO	NO	NO	YES	E03-0325-05	NO
AUSTRALIA	X		X11-3790-72				NO	NO	NO	NO	NO	YES	E03-0325-05	NO

C-V350

DESTINATION	COUNTRY	ABB	UNIT No.	F1	F2,3	CN1	CN5,6	S1	R232	P1	W100	W228	J6	WH8
U.K.	T		X11-3530-52	YES	T800mA L 250V	E40-8126-05	YES	NO	NO	NO	YES	NO	E03-0310-05	NO
EUROPE	E		X11-3532-72				YES	NO	NO	NO	YES	NO	E03-0149-05	NO



- D21-24,31,34 : S5688B or 1SR139-400
- D26,53 : RD5.1JS(B2) or HZS5.1S(B2)
- D27 : 1SS131 or HSS104A
- D28 : RD2.7ES(B2) or HZS2.7N(B2) or MTZJ2.7(B) or UZ-2.7BSB
- D49 : RD8.2ES(B2) or HZS8.2N(B2) or MTZJ8.2(B) or UZ-8.2BSB
- D50,51 : RD10ES(B2) or HZS10N(B2) or MTZJ10(B) or UZ-10BSB
- D52 : RD6.2ES(B2) or HZS6.2N(B2) or MTZJ6.2(B) or UZ-6.2BSB
- IC11 : NJM4558D
- Q4 : 2SD1894
- Q6,7 : UN4212 or DTC124ESA
- Q8,18 : 2SB1370(E,F) or 2SB1375

C-V100/V150/V300/V350 (K) (4/5)

**CAUTION:** For continued safety, replace safety critical components only with manufacturer's recommended parts (refer to parts list).  $\Delta$  indicates safety critical components. For continued protection against risk of fire, replace only with same type and rating fuse(s). To reduce the risk of electric shock, leakage-current or resistance measurements shall be carried out (exposed parts are acceptably insulated from the supply circuit) before the appliance is returned to the customer.

The DC voltage is an actual reading measured with a high impedance type voltmeter with no signal input. The measurement value may vary depending on the measuring instruments used or on the product.

# C-V100/V150/V300/V350

SUB UNIT (X13-7522-70)

X11-A/5 E8

X11-A/5 E7

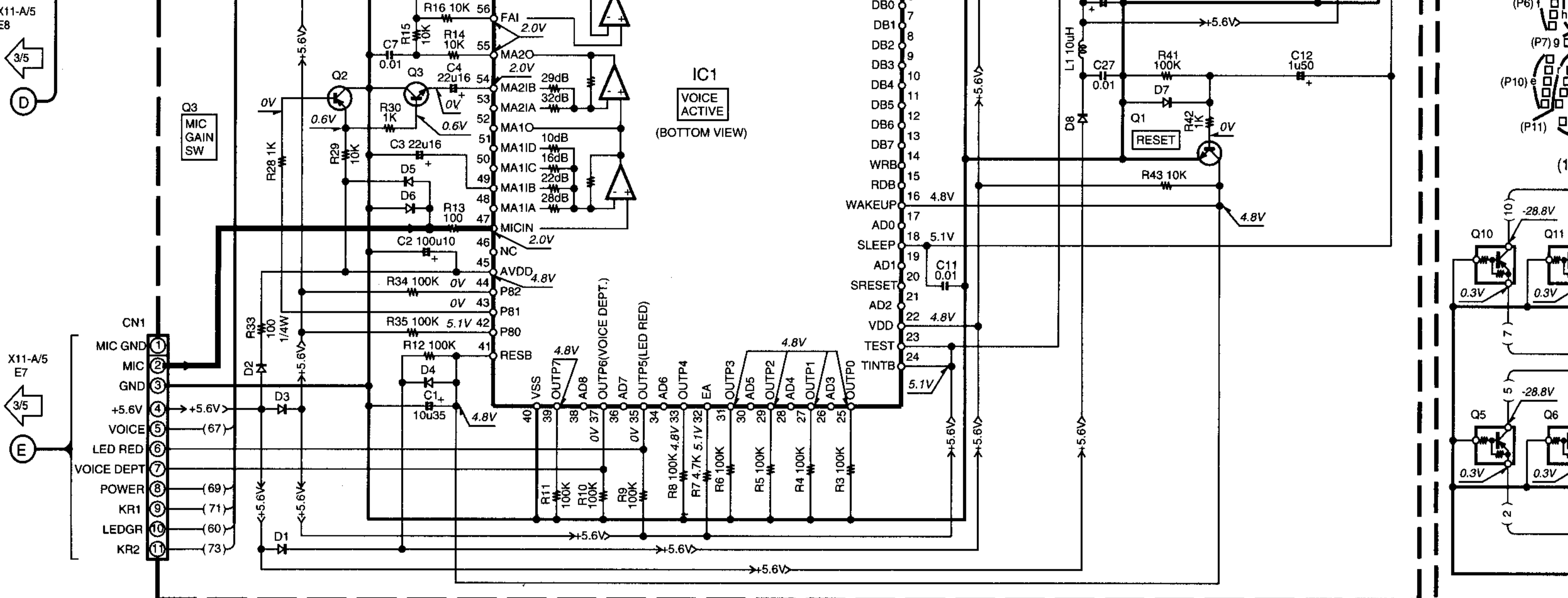
X11-A/5 CN4

X11-A/5 CN3

X11-A/5 CN4

X11-A/5 CN4

X11-A/5 CN4



(X14-) (B/4)

(X14-) (A/4)

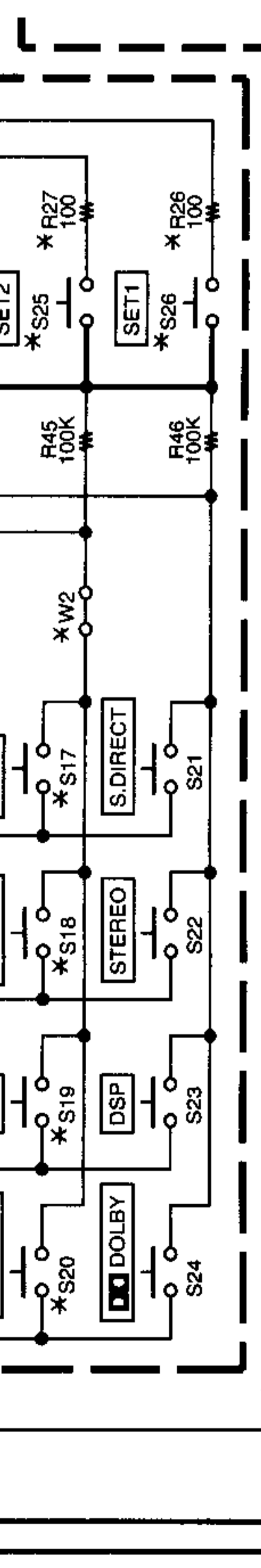
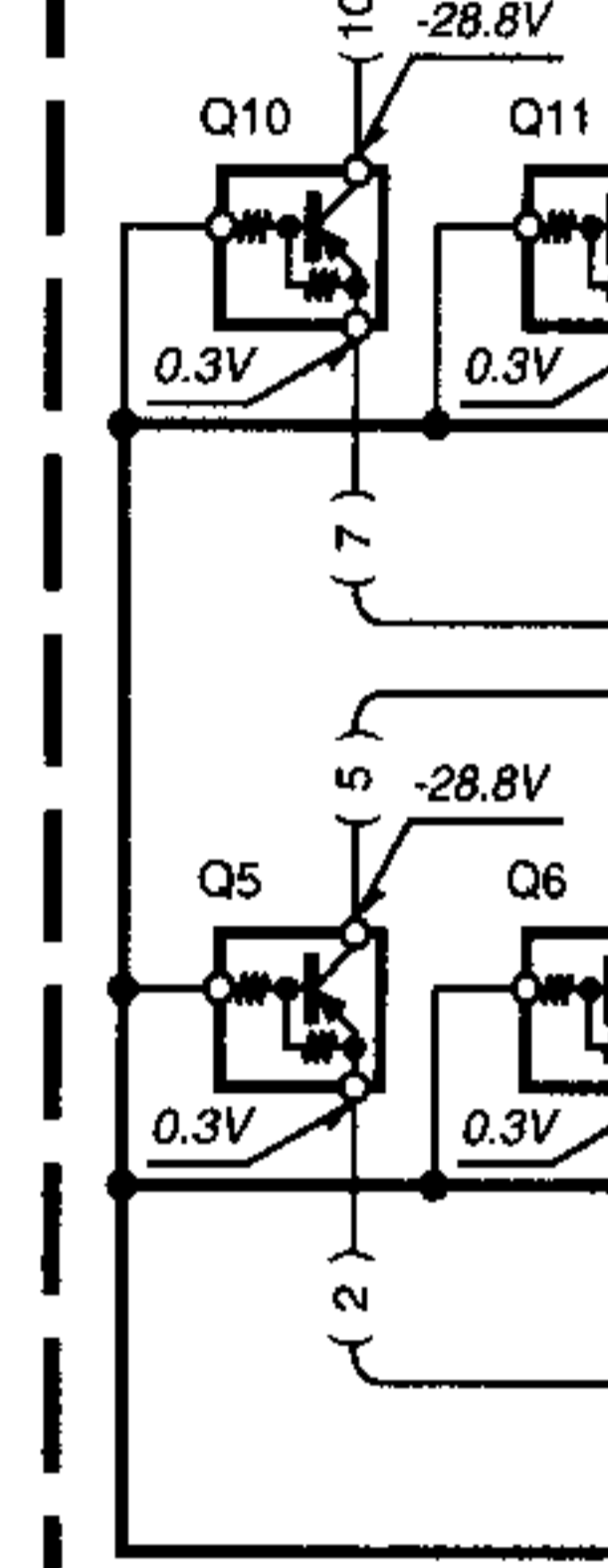
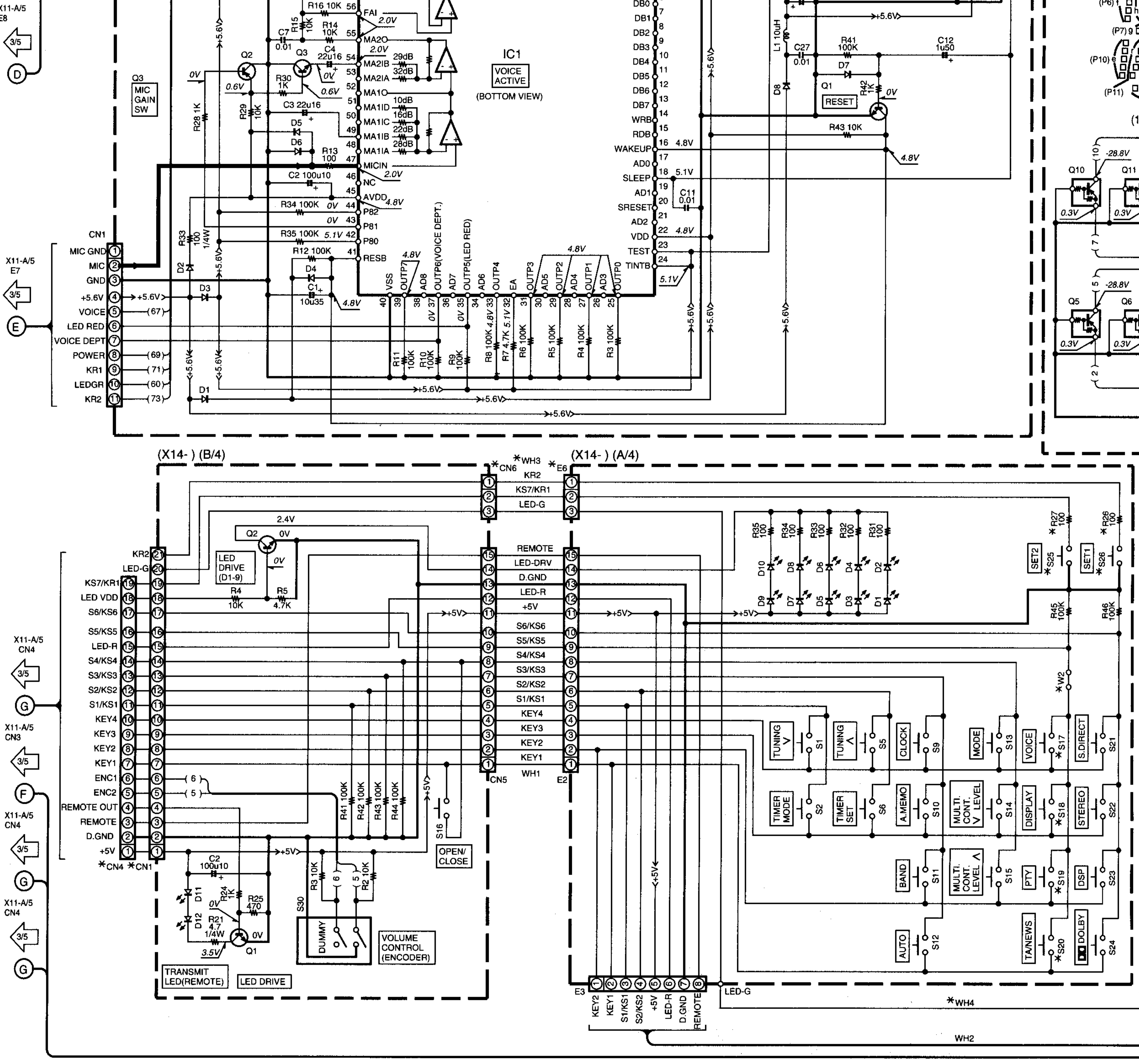
X11-A/5 CN4

X11-A/5 CN3

X11-A/5 CN4

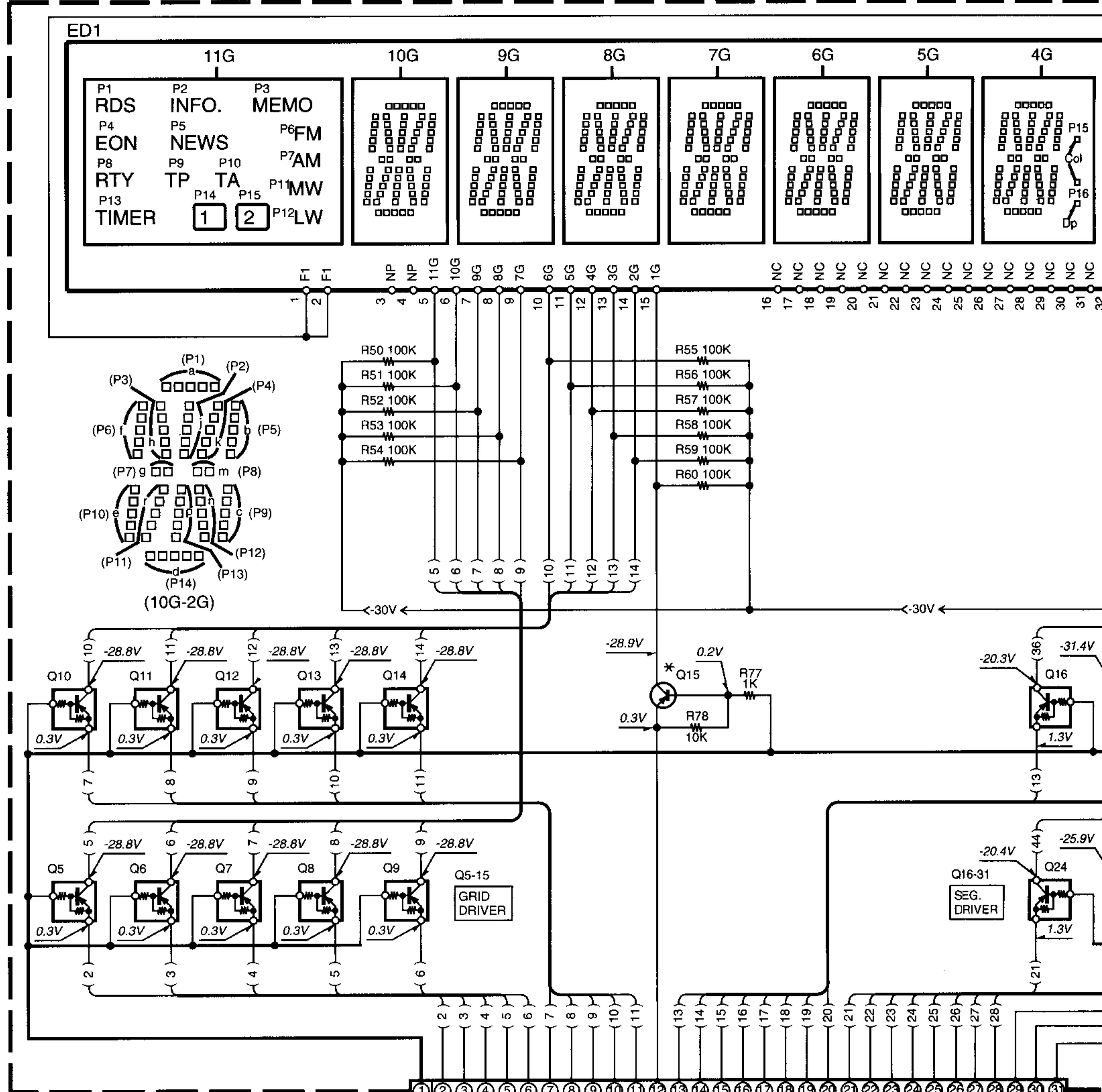
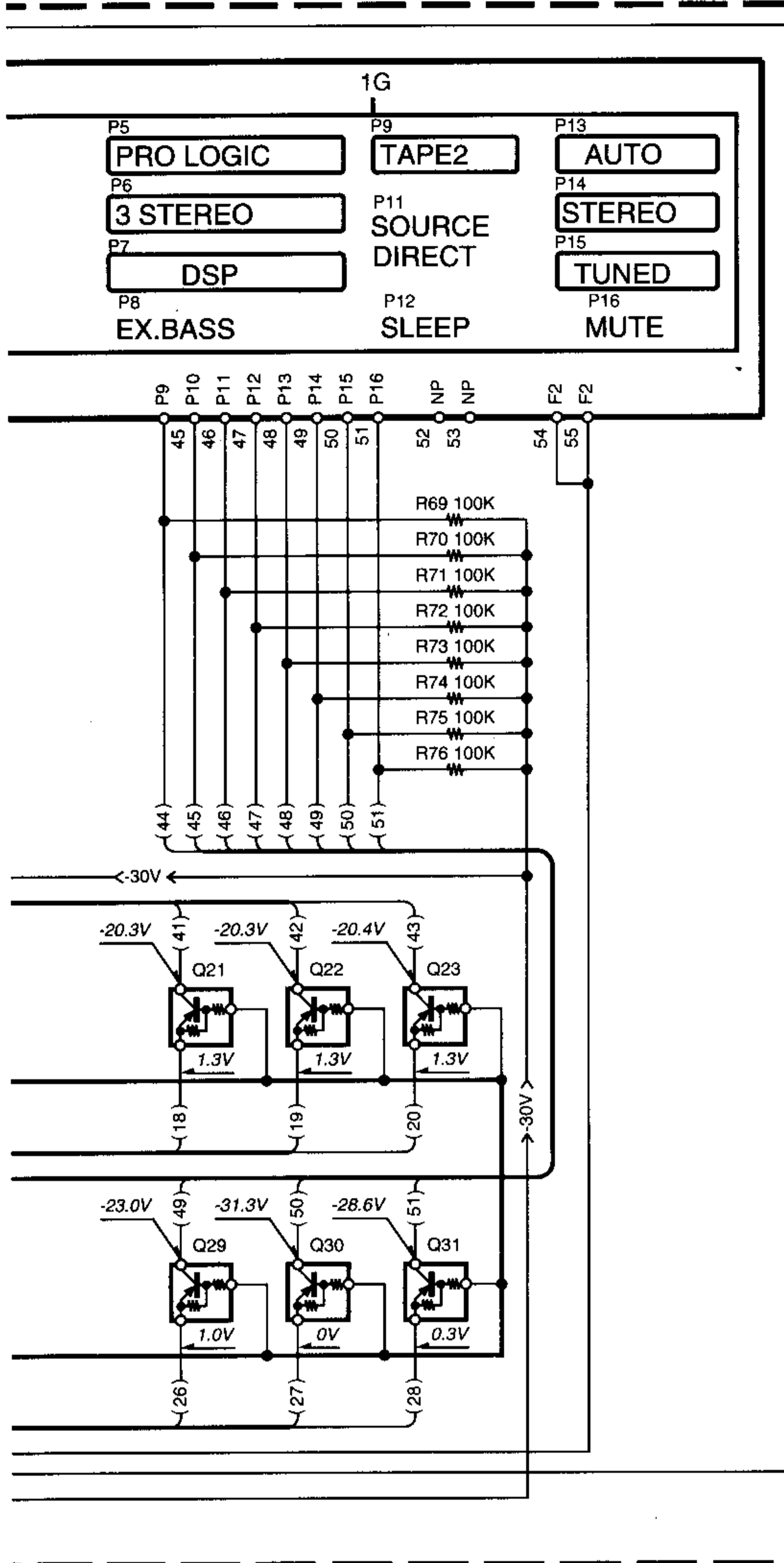
X11-A/5 CN4

X11-A/5 CN4





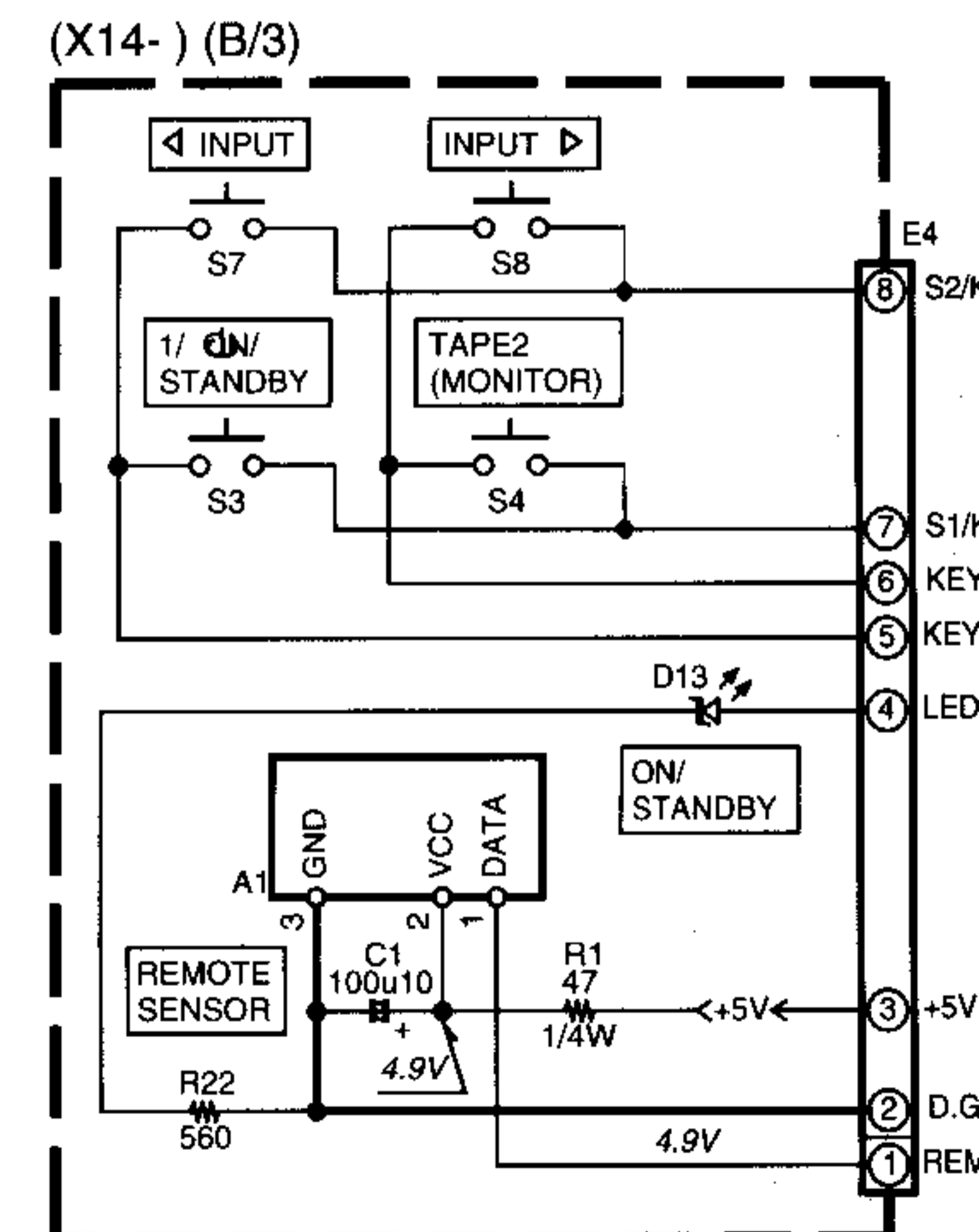
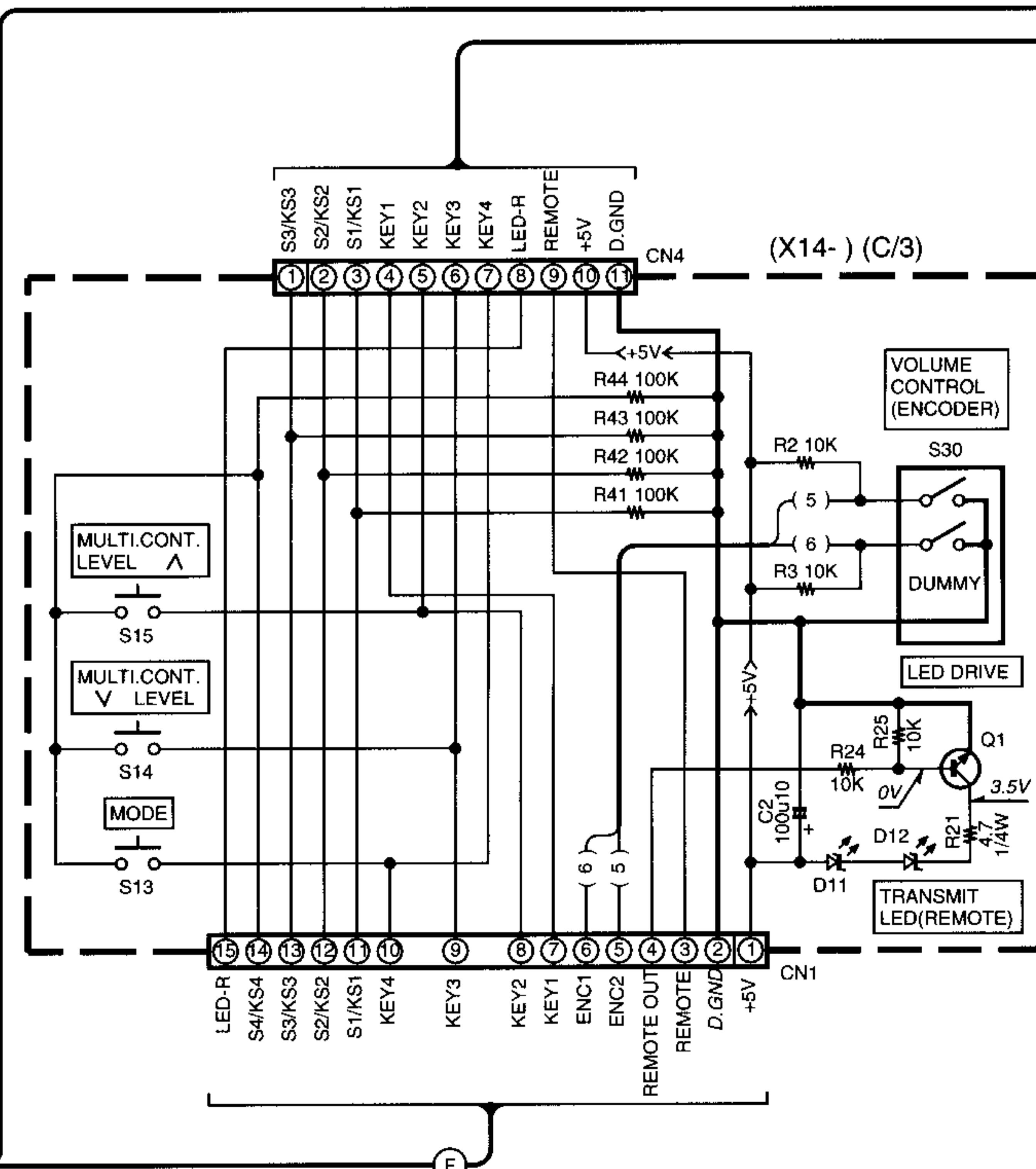
DISPLAY UNIT  
(X14-4XXX-XX) (A/3) : V-C100

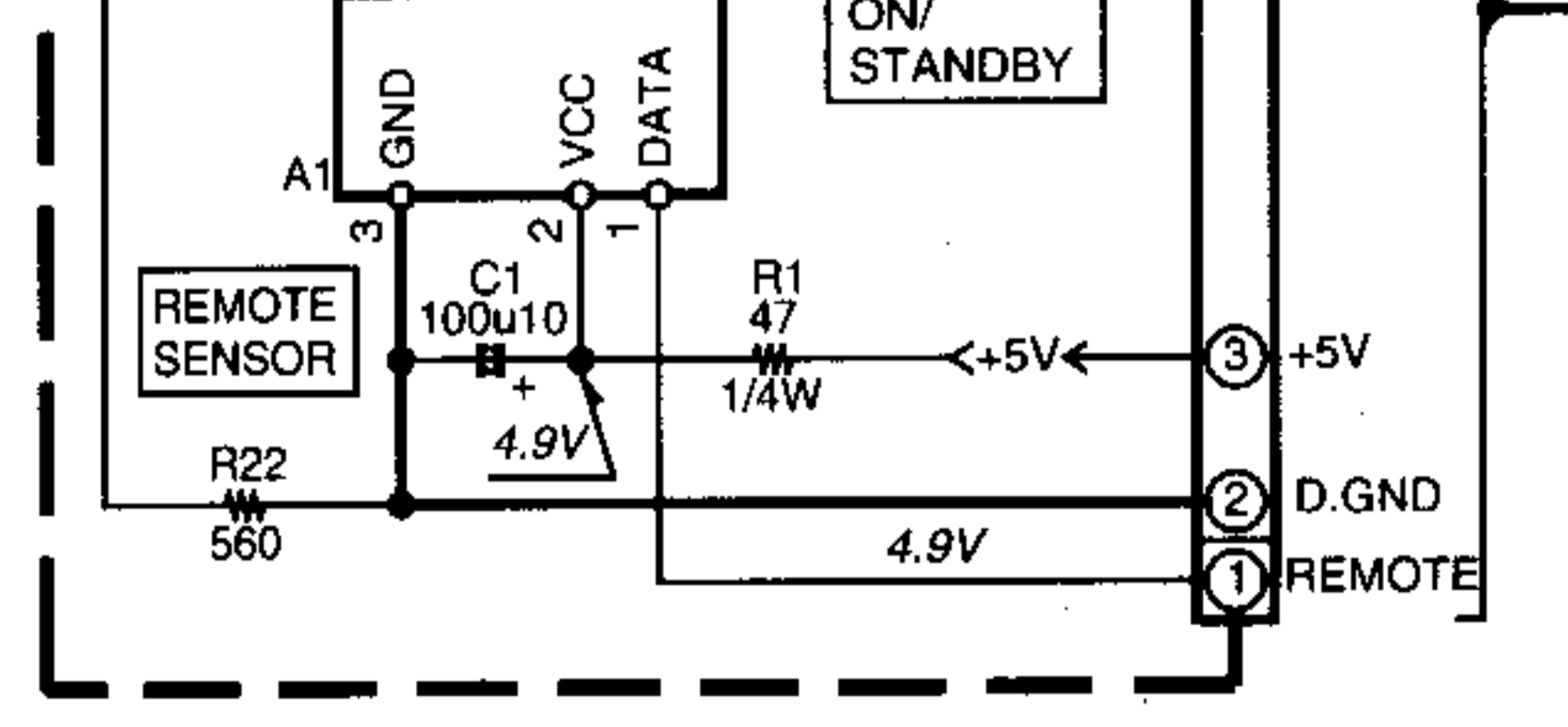
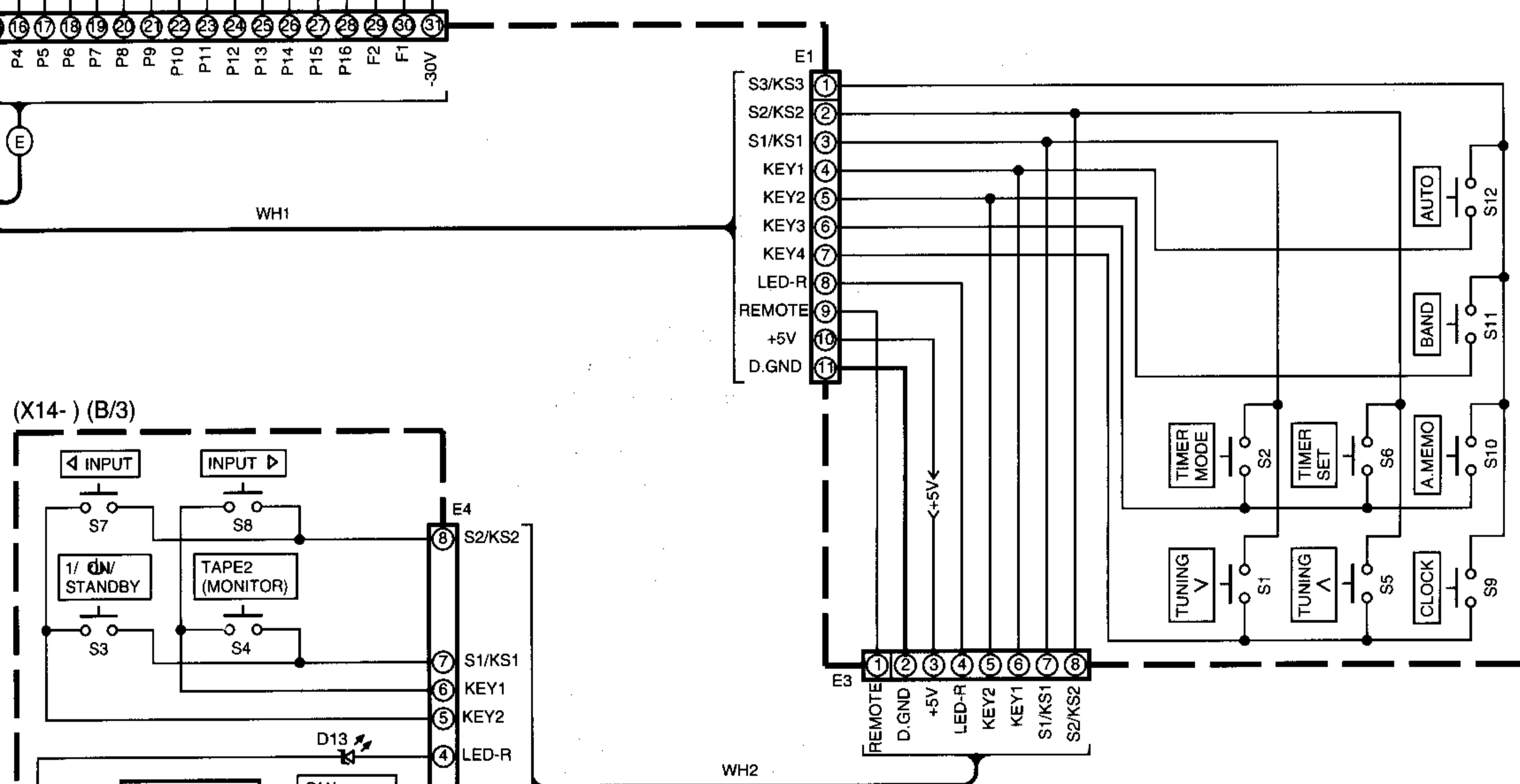
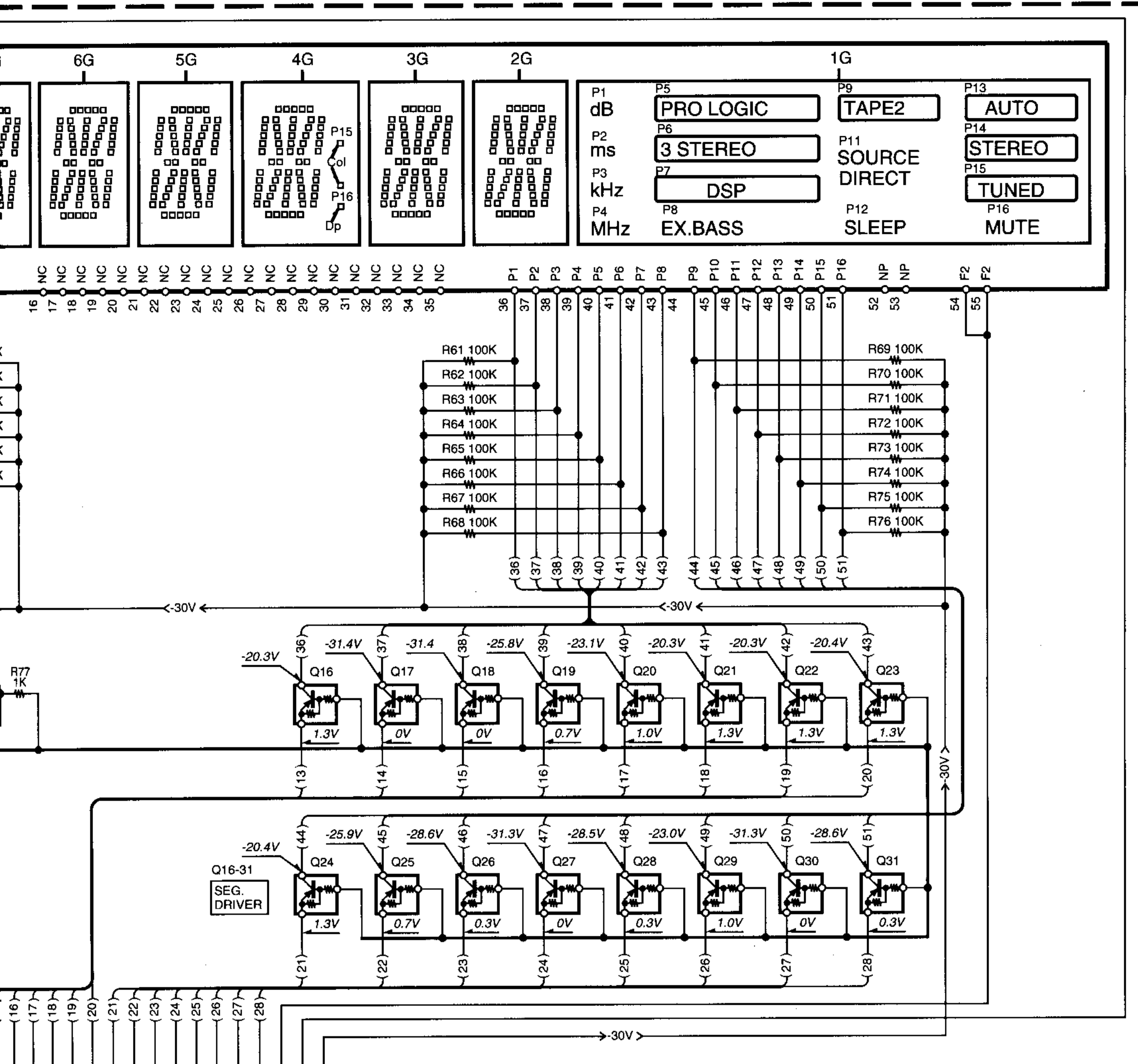


**CAUTION:** For continued safety, replace safety critical components only with manufacturer's recommended parts (refer to parts list).  $\Delta$  indicates safety critical components. For continued protection against risk of fire, replace only with same type and rating fuse(s). To reduce the risk of electric shock, leakage-current or resistance measurements shall be carried out (exposed parts are acceptably insulated from the supply circuit) before the appliance is returned to the customer.

The DC voltage is an actual reading measured with a high impedance type voltmeter with no signal input. The measurement value may vary depending on the measuring instruments used or on the product.

S17-20, 25, 26	Q3,4	Q15
NO	NO	2SB1218A(Q,R) or 2SA1576A(R,S)
S17-20, 25, 26	Q3,4	Q15
YES	YES	2SA1576A(R,S) or 2SA1586(Y,GR)





C-V100			
DESTINATION COUNTRY	ABB	UNIT No.	Q15
U.S.A.	K	X14-4360-10	2SA1576A(R,S) or 2SA1586(Y,GR)
CANADA	P		
PX	Y		
GENERAL MARKET	M		
MALAYSIA	I	X14-4500-20	2SB1218A(Q,R) or 2SA1576A(R,S)
CHINA	C		
AUSTRALIA	X		

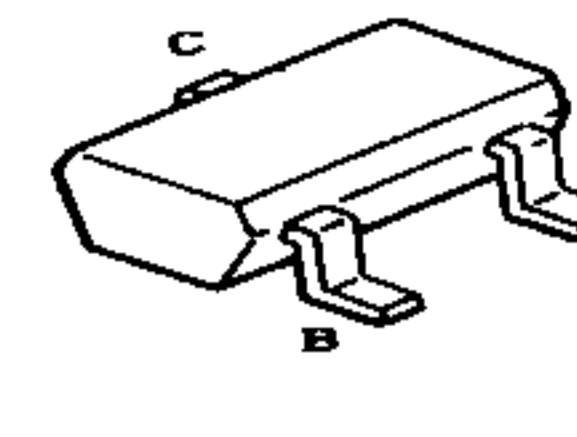
- (X14-4XXX-XX)  
 Q1 : 2SC3246  
 Q5-14,16-31 : UN5119 or DTA113ZUA  
 Q15 : \*  
 D11,12 : B30-2519-05  
 D13 : B30-2493-05  
 ED1 : 20U64100SA  
 A1 : W02-2598-05

C-V100/V150/V300/V350(M) (5/5)

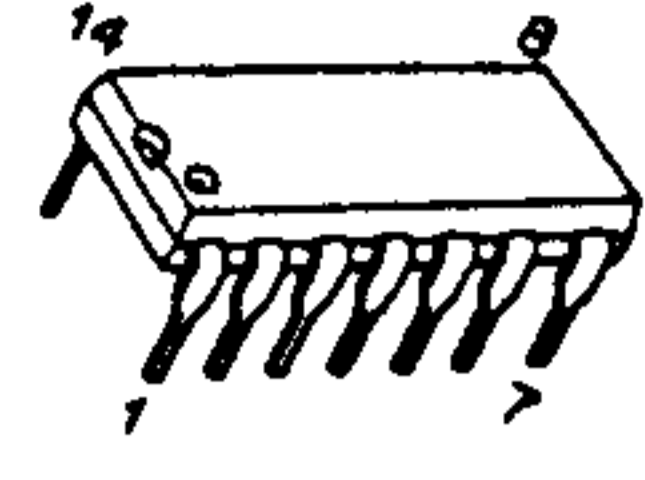
2SB1375



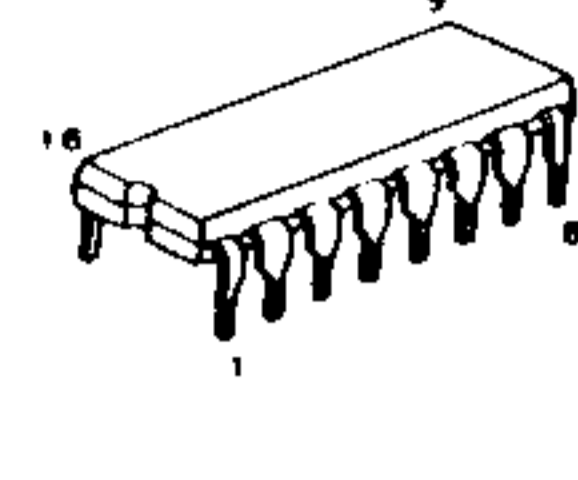
2SD1757K



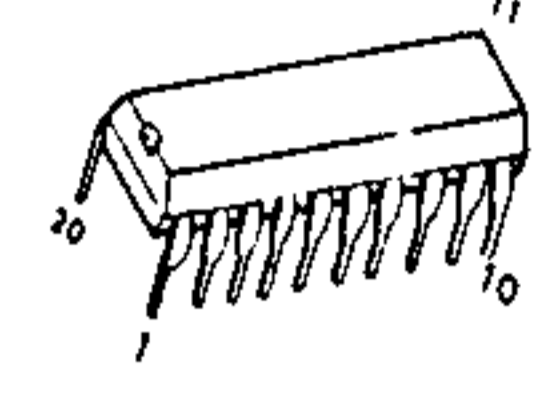
NJM2279D



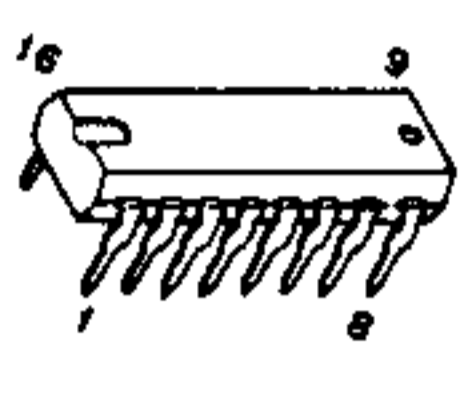
TC9215AP



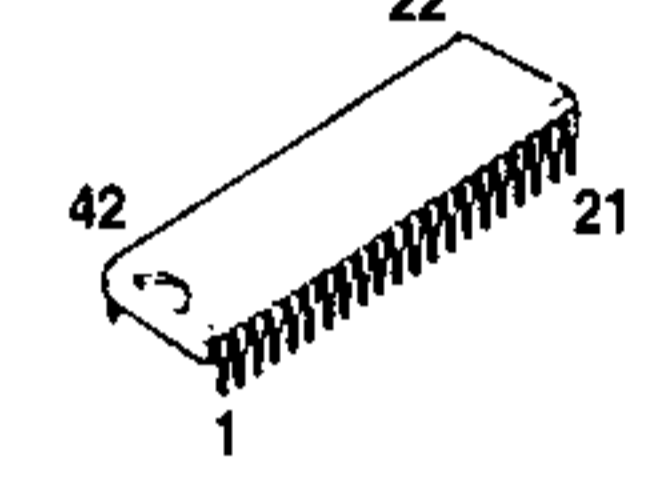
TDA7309



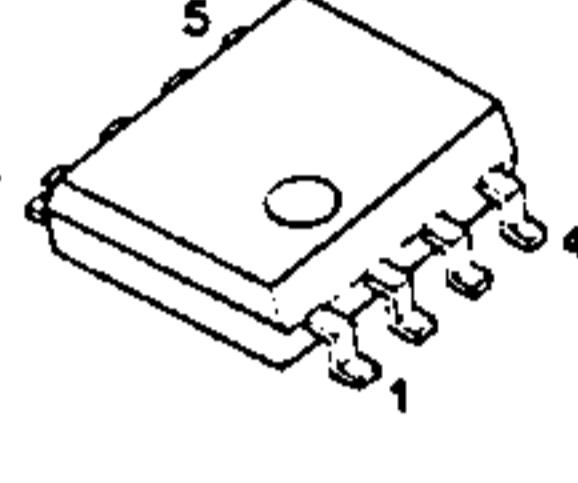
SAA6579



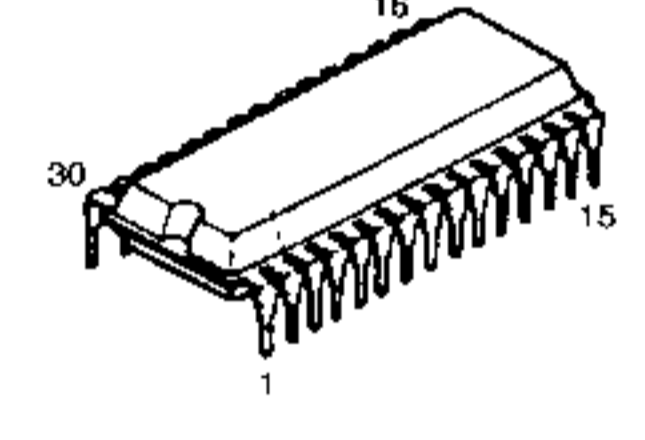
TDA7466



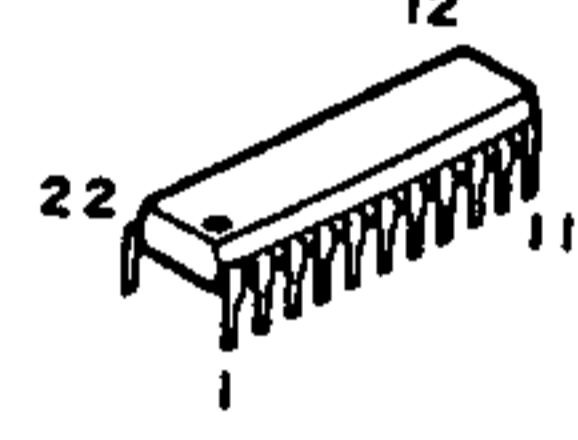
NJM4565M



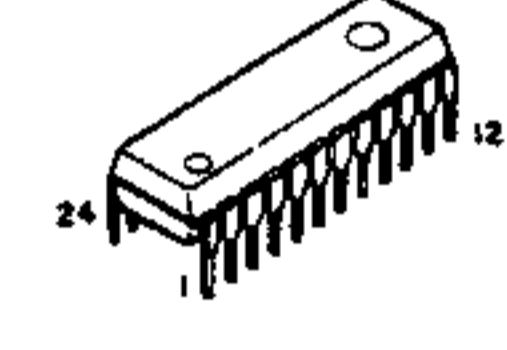
LA1836



LC72131



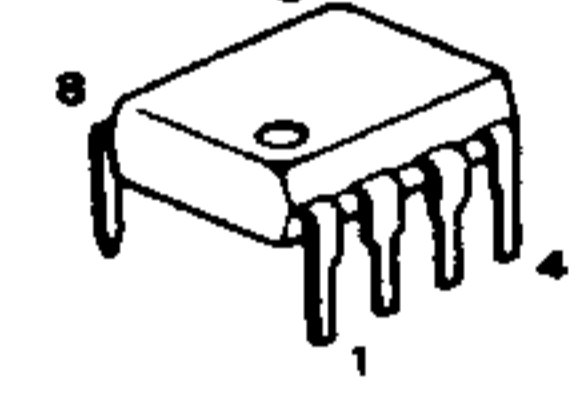
LA1832  
LV1016



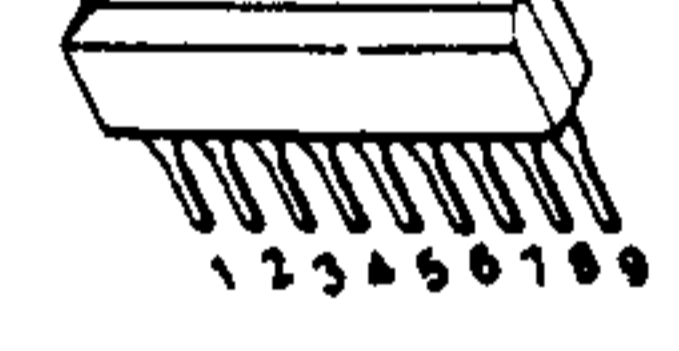
NJU7311AL  
NJU7312AL



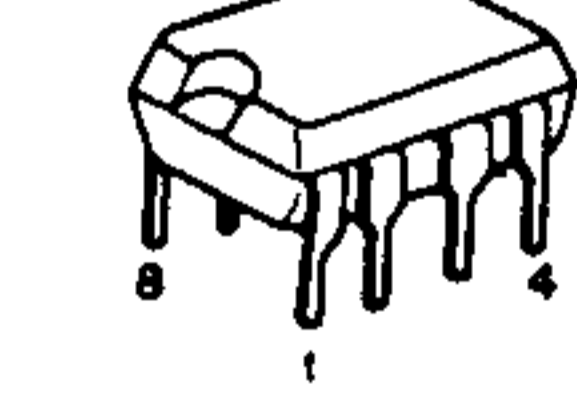
NJM4558D  
NJM4565D-D



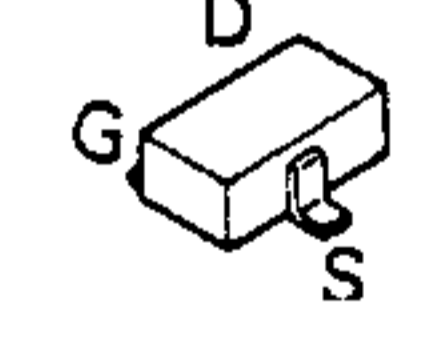
TA8409S



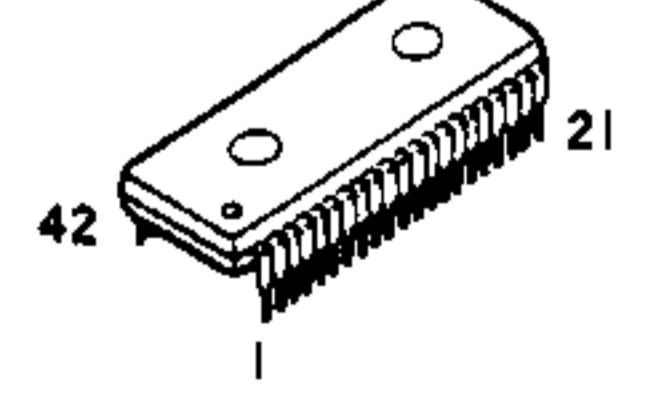
NJM4580D-D



2SK302



LA2786

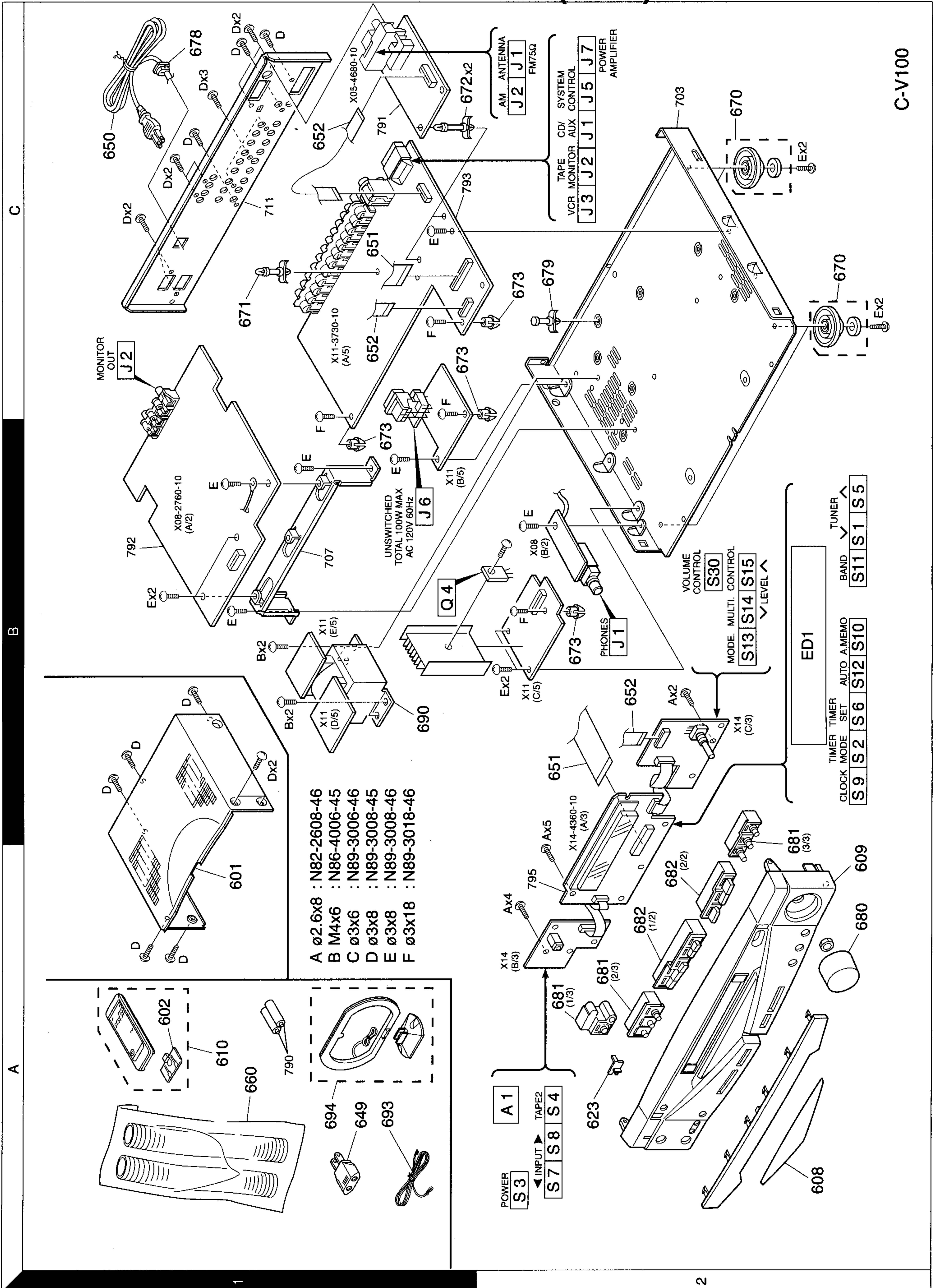


# C-V100/V150/V300/V350

Y05-3370-10

KENWOOD

## EXPLODED VIEW(UNIT)



- A Ø2.6x8 : N82-2608-46
- B M4x6 : N86-4006-45
- C Ø3x6 : N89-3006-46
- D Ø3x8 : N89-3008-45
- E Ø3x8 : N89-3008-46
- F Ø3x18 : N89-3018-46

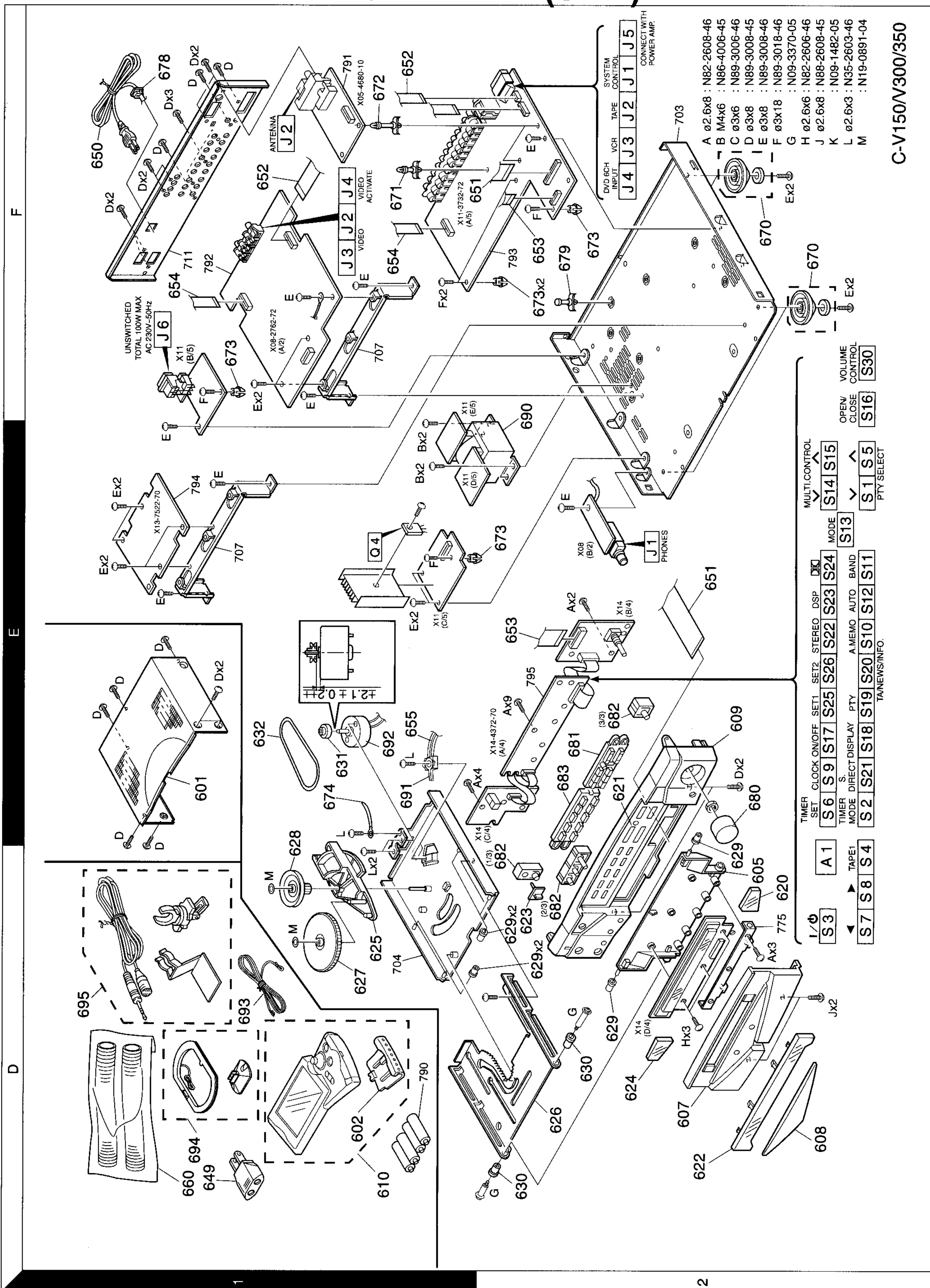
C-V100

Parts with the exploded numbers larger than 700 are not supplied.



# C-V100/V150/V300/V350

## EXPLODED VIEW(UNIT)



C-V150/V300/350

## PARTS LIST

**2**

\* New Parts  
Parts without **Parts No.** are not supplied.  
Les articles non mentionnés dans le **Parts No.** ne sont pas fournis.  
Teile ohne **Parts No.** werden nicht geliefert.

Ref. No	Add-ress	New Parts	Parts No.	Description	Desti-nation	Re-marks
-		*	H50-2483-04	ITEM CARTON CASE	MI	
-		*	H50-2484-04	ITEM CARTON CASE	C	
-		*	H50-2519-04	ITEM CARTON CASE	X	
670	2C	*	J02-1188-03	FOOT	KPY	
670	2C	*	J02-1189-03	FOOT	MICX	
671	1C	*	J19-3331-05	UNIT HOLDER	KPY	
672	1C	*	J19-3642-05	UNIT HOLDER	MICX	
673	2B,1C	*	J19-3732-04	UNIT HOLDER	KPY	
673	2B,1C	*	J19-3751-04	UNIT HOLDER	MICX	
678	1C	*	J42-0083-05	POWER CORD BUSHING	KPY	
679	2C	*	J19-2598-05	UNIT HOLDER	MICX	
-		*	J61-0098-05	WIRE BAND	KPY	
-		*	J61-0307-05	WIRE BAND	MICX	
680	2A	*	K29-6660-04	KNOB	KPY	
681	2A	*	K29-6661-02	KNOB	MICX	
681	2A	*	K29-6779-02	KNOB	KPY	
682	2A	*	K29-6662-02	KNOB	MICX	
682	2A	*	K29-6780-02	KNOB	KPY	
690	1B	*	L07-2327-05	POWER TRANSFORMER	MI	
690	1B	*	L07-2328-05	POWER TRANSFORMER	Y	
690	1B	*	L07-2331-05	POWER TRANSFORMER	CX	
690	1B	*	L07-2332-05	POWER TRANSFORMER	MI	
693	1A	*	T90-0809-05	LEAD WIRE ANTENNA	MICX	
693	1A	*	T90-0810-05	LEAD WIRE ANTENNA	KPY	
694	1A	*	T90-0820-05	LOOP ANTENNA	MICX	
-	-	-	-	<b>C-V150/V300/V350</b>	-	-
601	1B	*	A01-3432-01	METALLIC CABINET	ET	
602	1A	*	A09-0378-08	BATTERY COVER (V150)	ET	
602	1A	*	A09-0379-08	BATTERY COVER (V300/350)	MICX	
605	2A	*	A46-0303-01	REAR COVER	ET	
607	2A	*	A29-0861-01	PANEL	ET	
607	2A	*	A29-0881-01	PANEL	MICX	
608	2A	*	A21-1953-03	DRESSING PANEL (V150)	ET	
608	2A	*	A21-1954-03	DRESSING PANEL	MICX	
608	2A	*	A21-1955-03	DRESSING PANEL (V350)	ET	
609	2B	*	A60-1144-01	PANEL	ET	
609	2B	*	A60-1145-01	PANEL	MICX	
610	1A	*	A70-1136-05	REMOTE CONTROLLER ASSY(V150)	ET	
610	1A	*	A70-1137-05	REMOTE CONTROLLER ASSY(V350)	ET	
610	1A	*	A70-1159-05	REMOTE CONTROLLER ASSY(V300)	MICX	
620	2A	*	B10-2384-04	FRONT GLASS	MICX	
621	2B	*	B03-3802-13	DRESSING PLATE	MICX	
621	2B	*	B03-3803-03	DRESSING PLATE	ET	
622	2A	*	B10-2349-02	FRONT GLASS	ET	
622	2A	*	B10-2382-02	FRONT GLASS	MICX	
623	2A	*	B12-0311-04	INDICATOR	ET	
624	2A	*	B10-2350-04	FRONT GLASS	MICX	
624	2A	*	B10-2383-04	FRONT GLASS	ET	
625	2A	*	B10-2351-04	FRONT GLASS	ET	
-	-	-	B46-0096-53	WARRANTY CARD	X	
-	-	-	B46-0310-03	WARRANTY CARD	ET	
-	-	-	B46-0326-03	WARRANTY CARD	C	
-	-	-	B58-0945-03	CAUTION CARD	T	
-	-	-	B58-0965-13	CAUTION CARD (PL)	T	

**1**

\* New Parts  
Parts without **Parts No.** are not supplied.  
Les articles non mentionnés dans le **Parts No.** ne sont pas fournis.  
Teile ohne **Parts No.** werden nicht geliefert.

Ref. No	Add-ress	New Parts	Parts No.	Description	Desti-nation	Re-marks
<b>C-V100</b>						
601	1A	*	A01-3432-01	METALLIC CABINET	YMICX	
602	1A	*	A09-0378-08	BATTERY COVER	KPY	
608	2A	*	A21-1952-03	DRESSING PANEL	KPY	
609	2A	*	A60-1142-01	PANEL	MICX	
609	2A	*	A60-1168-01	REMOTE CONTROL ASSY(RC-S503)	YMICX	
610	1A	*	A70-1150-05	REMOTE CONTROL ASSY(RGC-100)	KPY	
610	1A	*	A70-1159-05	REMOTE CONTROL ASSY(RGC-100)	YMICX	
622	2A	*	B10-2347-02	FRONT GLASS	KPY	
622	2A	*	B10-2385-02	FRONT GLASS	MICX	
623	2A	*	B12-0311-04	INDICATOR	X	
-	-	*	B46-0096-53	WARRANTY CARD	C	
-	-	*	B46-0326-03	WARRANTY CARD	X	
-	-	*	B46-0328-03	WARRANTY CARD	C	
-	-	*	B46-0336-03	WARRANTY CARD	KY	
-	-	*	B46-0513-04	WARRANTY CARD	P	
-	-	*	B58-0964-13	CAUTION CARD (PRESET220-240)	Y	
-	-	*	B58-0965-13	CAUTION CARD (UL)	KY	
-	-	*	B58-0966-13	CAUTION CARD	X	
-	-	*	B58-0966-13	CAUTION CARD	MI	
-	-	*	B58-0967-03	CAUTION CARD (PL)	P	
-	-	*	B58-1546-03	CAUTION CARD	C	
-	-	*	B59-1104-00	SERVICE DIRECTORY	Y	
-	-	*	B59-1121-03	SUB-INSTRUCTION MANUAL	MI	
-	-	*	B59-1122-03	SUB-INSTRUCTION MANUAL	P	
-	-	*	B59-1123-03	SUB-INSTRUCTION MANUAL	C	
-	-	*	B59-1129-03	SUB-INSTRUCTION MANUAL	MI	
-	-	*	B59-1130-03	SUB-INSTRUCTION MANUAL	M	
-	-	*	B59-1131-03	SUB-INSTRUCTION MANUAL	M	
-	-	*	B60-3198-00	INSTRUCTION MANUAL(ENG)	P	
-	-	*	B60-3199-00	INSTRUCTION MANUAL(FRN)	M	
-	-	*	B60-3200-00	INSTRUCTION MANUAL(SPN)	M	
-	-	*	B60-3201-00	INSTRUCTION MANUAL(TWN)	MI	
-	-	*	B60-3202-00	INSTRUCTION MANUAL(CHN)	C	
649	1A	*	E03-0115-05	AC PLUG ADAPTER	MI	
650	1C	*	E30-2592-15	AC POWER CORD	MI	
650	1C	*	E30-2717-05	AC POWER CORD	X	
650	1C	*	E30-2787-05	AC POWER CORD	KP	
650	1C	*	E30-2789-05	AC POWER CORD	Y	
650	1C	*	E30-2830-05	AC POWER CORD	C	
651	2B	*	E35-1772-05	FLAT CABLE (31P)		
652	1C	*	E35-1774-05	FLAT CABLE (15P)		
660	1A	*	F07-1602-04	COVER		
-	-	*	H10-7286-02	POLYSTYRENE FOAMED FIXTURE	KPY	
-	-	*	H10-7287-02	POLYSTYRENE FOAMED FIXTURE	JPY	
-	-	*	H10-7371-02	POLYSTYRENE FOAMED FIXTURE	MICX	
-	-	*	H10-7372-02	POLYSTYRENE FOAMED FIXTURE	MICX	
-	-	*	H13-0281-04	CARTON BOARD	X	
-	-	*	H25-0232-04	PROTECTION BAG (235X350X0.03)	KPY	
-	-	*	H25-1516-04	PROTECTION BAG	MICX	
-	-	*	H30-0100-04	ADHESIVE DOUBLE-COATED TAPE	KPY	
-	-	*	H30-0602-04	ADHESIVE DOUBLE-COATED TAPE	MICX	
-	-	*	H50-2334-04	ITEM CARTON CASE	KPY	

L: Scandinavia  
Y: PX(Far East, Hawaii)  
Y: AAFES(Europe)

K: USA  
T: Europe  
X: Australia

P: Canada  
E: Europe  
M: Other Areas

R: Mexico  
G: Germany  
Q: Russia

$\Delta$  indicates safety critical components.

# C-V100/V150/V300/V350

## PARTS LIST

\* New Parts  
Parts without **Parts No.** are not supplied.  
Les articles non mentionnés dans le **Parts No.** ne sont pas fournis.  
Teile ohne **Parts No.** werden nicht geliefert.

\* New Parts  
Parts without **Parts No.** are not supplied.  
Les articles non mentionnés dans le **Parts No.** ne sont pas fournis.  
Teile ohne **Parts No.** werden nicht geliefert.

Ref. No	Add-ress	New Parts	Parts No.	Description	Desti-nation	Re-marks
-	-	-	H20-0568-04	PROTECTION COVER	MIC	
-	-	-	H25-0232-04	PROTECTION BAG (235X350X0.03)	E T	
-	-	-	H25-0651-04	PROTECTION BAG (0232)	ET	
-	-	-	H25-1516-04	PROTECTION BAG	MICX	
-	-	-	H30-0100-04	ADHESIVE DOUBLE-COATED TAPE	ET	
-	-	-	H30-0602-04	ADHESIVE DOUBLE-COATED TAPE	MICX	
-	-	*	H50-2386-04	ITEM CARTON CASE(V350)	E T	
-	-	*	H50-2387-04	ITEM CARTON CASE(V350)	T T	
-	-	*	H50-2439-04	ITEM CARTON CASE(V150)	T T	
-	-	*	H50-2482-04	ITEM CARTON CASE(V150)	E	
-	-	*	H50-2486-04	ITEM CARTON CASE	MI	
-	-	*	H50-2487-04	ITEM CARTON CASE	C	
-	-	*	H50-2520-04	ITEM CARTON CASE	X	
670		*	J02-1188-03	FOOT	ET	
670	2C	*	J02-1189-03	FOOT	MICX	
671	1C	*	J19-3331-05	UNIT HOLDER	.	
672	1C	*	J19-3642-05	UNIT HOLDER	ET	
673	2B,1C	*	J19-3732-04	UNIT HOLDER	ET	
673	2B,1C	*	J19-3751-04	UNIT HOLDER	MICX	
674	1B	*	J19-5833-05	LEAD HOLDER		
678	1C	*	J42-0083-05	POWER CORD BUSHING	ET	
679	2C	*	J19-2598-05	UNIT HOLDER		
-	-	-	J61-0098-05	WIRE BAND	ET	
-	-	-	J61-0307-05	WIRE BAND	MICX	
680	2B	*	K29-6660-04	KNOB	ET	
681	2B	*	K29-6664-02	KNOB	MICX	
681	2B	*	K29-6775-02	KNOB	MICX	
682	2A,2B	*	K29-6665-02	KNOB	MICX	
682	2A,2B	*	K29-6776-02	KNOB	MICX	
683	2B	*	K29-6666-02	KNOB	ET	
683	2B	*	K29-6668-02	KNOB	MICX	
690	2C	*	L07-2329-05	POWER TRANSFORMER	MI	
690	2C	*	L07-2330-05	POWER TRANSFORMER	ET	
690	2C	*	L07-2333-05	POWER TRANSFORMER	CX	
691	1B	*	S64-0026-05	LEVER SWITCH		
692	1B	*	T42-0882-05	DC MOTOR		
693	1A	*	T90-0809-05	LEAD WIRE ANTENNA		
693	1A	*	T90-0810-05	LEAD WIRE ANTENNA		
694	1A	*	T90-0820-05	LOOP ANTENNA		
695	1A	*	W01-0935-05	MICROPHONE	ET	
<b>TUNER(X05-4670-20)</b>						
C1 ,2			CK73FB1H103K	CHIP C		0.010UF K
C5			CK73FB1H102K	CHIP C		1000PF K
C8			CK73FB1H103K	CHIP C		0.010UF K
C9			CE04LW1C100M	ELECTRO		10UF 16WV K
C10			CK73FB1H473K	CHIP C		0.047UF K
C11			CE04LW1H010M	ELECTRO		1.0UF 50WV K
C12			CE04LW1H2R2M	ELECTRO		2.2UF 50WV K
C13			CK73FB1H102K	CHIP C		1000PF K
C14			CE04LW1H010M	ELECTRO		1.0UF 50WV J
C15			CC73FCH1H220J	CHIP C		22PF J

L : Scandinavia  
Y : PX(Far East, Hawaii)  
Y : AAFES(Europe)

K : USA  
T : Europe  
X : Australia

P : Canada  
E : Europe  
M : Other Areas

R : Mexico  
G : Germany  
O : Russia

△ indicates safety critical components.

L : Scandinavia  
Y : PX(Far East, Hawaii)  
Y : AAFES(Europe)

K : USA  
T : Europe  
X : Australia

P : Canada  
E : Europe  
M : Other Areas

R : Mexico  
G : Germany  
O : Russia

△ indicates safety critical components.

# C-V100/V150/V300/V350

## PARTS LIST

\* New Parts  
Parts without **Parts No.** are not supplied.  
Les articles non mentionnés dans le **Parts No.** ne sont pas fournis.  
Teile ohne **Parts No.** werden nicht geliefert.

5

Ref. No	Add-ress	New Parts	Parts No.	Description	Desti-nation	Re-marks
C16			CE04LW1C100M	ELECTRO		
C17			CK73FB1H562K	CHIP C		
C18			CK73FB1H102K	CHIP C		
C19			CE04HW1E4R7M	NP-ELEG		
C20			CK73FB1E104K	CHIP C		
C21 ,22			CQ93FMG1H113J	MYLAR		
C23			CE04LW1H010M	ELECTRO	YMIC	
C24			CK73FB1H103K	CHIP C		
C25			CE04LW1C100M	ELECTRO		
C26			CE04LW1C470M	ELECTRO		
C27			CE04LW1H010M	ELECTRO		
C28			CQ93FMG1H223J	MYLAR		
C29			CE04LW1H2R2M	ELECTRO		
C30			CE04LW1C101M	ELECTRO		
C31			CE04LW1A470M	ELECTRO		
C32			CK73FB1H103K	CHIP C		
C33			CC73FSL1H101J	CHIP C		
C34 ,35			CK73FB1H102K	CHIP C		
C36			CC73FCH1H270J	CHIP C		
C37			CC73FCH1H220J	CHIP C		
C38			CK73FB1H471K	CHIP C		
C57 ,58			CE04LW1H010M	ELECTRO		
C59 ,60			CE04LW1C100M	ELECTRO		
C61 ,62			CQ93FMG1H472J	MYLAR		
C63			CC73FCH1H220J	CHIP C	YMIC	
C64			CC73FCH1H330J	CHIP C		
C65			CC73FCH1H040C	CHIP C		
C67			CK73FB1H102K	CHIP C		
CN1			E40-4609-05	PIN ASSY		
J1			E70-0052-05	LOCK TERMINAL BOARD		
CF1 ,2			L72-0531-05	CERAMIC FILTER		
CF3			L72-0593-05	CERAMIC FILTER		
L1			L39-1348-05	COMBINATION COIL		
L2			L30-0911-05	AM IFT		
L3 ,4			L40-1091-17	SMALL FIXED INDUCTOR(1UH)		
X1			L77-1122-05	CRYSTAL RESONATOR(7.2MHZ)		
X1			L77-2159-05	CRYSTAL RESONATOR(7.2MHZ)		
X2			L78-0637-05	RESONATOR (456KHZ)	MICX Y	
R1			RK73FB2A332J	CHIP R		
R2			RK73FB2A681J	CHIP R	1/10W	
R3			RK73FB2A100J	CHIP R	680	1/10W
R4 ,5			RK73FB2A331J	CHIP R	10	1/10W
R6			RK73FB2A101J	CHIP R	330	1/10W
R7			RK73FB2A473J	CHIP R	100	1/10W
R8			RK73FB2A331J	CHIP R	47K	1/10W
R12			RK73FB2A102J	CHIP R	330	1/10W
R13			RK73FB2A473J	CHIP R	1.0K	1/10W
R15 ,16			RK73FB2A393J	CHIP R	47K	1/10W
R17			RK73FB2A271J	CHIP R	39K	1/10W
R18			RK73FB2A302J	CHIP R	270	1/10W
R19			RK73FB2A822J	CHIP R	3.0K	1/10W
R20 -23			RK73FB2A102J	CHIP R	8.2K	1/10W
R24			RK73FB2A562J	CHIP R	1.0K	1/10W
			RK73FB2A562J	CHIP R	5.6K	1/10W

L : Scandinavia  
Y : PX(Far East, Hawaii)  
Y : AAFES(Europe)  
K : USA  
T : Europe  
X : Australia  
P : Canada  
E : Europe  
M : Other Areas  
R : Mexico  
G : Germany  
Q : Russia

Δ indicates safety critical components.

\* New Parts

Parts without **Parts No.** are not supplied.  
Les articles non mentionnés dans le **Parts No.** ne sont pas fournis.  
Teile ohne **Parts No.** werden nicht geliefert.

6

Ref. No	Add-ress	New Parts	Parts No.	Description	Desti-nation	Re-marks
R25			RD14NB2E101J	RD		
R26			RD14NB2E561J	RD		1/4W
R27 ,28			RK73FB2A103J	CHIP R		1/4W
R29 ,30			RK73FB2A102J	CHIP R		1/10W
R31			RK73FB2A103J	CHIP R		1/10W
R32			RK73FB2A122J	CHIP R		1/10W
R33			RK73FB2A123J	CHIP R		1/10W
R41			RS14KB3A271J	FL-PROOF RS		1W
R42			RD14NB2E271J	RD		1/4W
R44			RK73FB2A101J	CHIP R		1/10W
R46			RK73FB2A104J	CHIP R		1/10W
R47			RK73FB2A153J	CHIP R		1/10W
R48			RK73FB2A473J	CHIP R		1/10W
R49			RK73FB2A473J	CHIP R		1/10W
R50			RK73FB2A471J	CHIP R	YMIC YMIC	1/10W
R51 -54			RK73FB2A473J	CHIP R		1/10W
R55 ,56			RK73FB2A154J	CHIP R		1/10W
R59 ,60			RK73FB2A392J	CHIP R		1/10W
R61			RK73FB2A103J	CHIP R		1/10W
R62			RK73FB2A563J	CHIP R		1/10W
R63			RK73FB2A821J	CHIP R		1/10W
R64			RK73FB2A102J	CHIP R		1/10W
R65			RK73FB2B102J	CHIP R		1/8W
R73			RK73FB2A681J	CHIP R		1/10W
W101-106			R92-0670-05	CHIP R		1/10W
W108-113			R92-0670-05	CHIP R		0 OHM
W115			R92-0670-05	CHIP R		0 OHM
W201-212			R92-0679-05	CHIP R		0 OHM
S1			S62-0034-05	SLIDE SWITCH	YMIC	
D1 ,2			HSS104	DIODE		
D1 ,2			1SS133	DIODE		
D3 ,4			HZS5.1N(B2)	ZENER DIODE		
D3 ,4			MTZJ5.1(B)	ZENER DIODE		
D3 ,4			RD5.1ES(B2)	ZENER DIODE		
D3 ,4			UZ-5.1BSB	ZENER DIODE		
D8			HSS104	DIODE		
D8			1SS133	DIODE		
D10			MAT11	DIODE		
D12			HZS3.3N(B2)	ZENER DIODE		
D12			MTZJ3.3(B)	ZENER DIODE		
D12			RD3.3ES(B2)	ZENER DIODE		
D12			UZ-3.3BSB	ZENER DIODE		
D13			HZS2.7N(B2)	ZENER DIODE		
D13			MTZJ2.7(B)	ZENER DIODE		
D13			RD2.7ES(B2)	ZENER DIODE		
D13			UZ-2.7BSB	ZENER DIODE		
IC1			LA1832	ANALOGUE IC		
IC2			LC72131	MOS-IC		
IC4			NJM4565M	IC(OP AMP X2)		
Q1			2SC2714(R,O)	TRANSISTOR		
Q3			2SA1576A(R,S)	TRANSISTOR		
Q3			2SA1586(Y,GR)	TRANSISTOR		
Q3			2SB1218A(Q,R)	TRANSISTOR		
Q5			2SC4081(R,S)	TRANSISTOR		

L : Scandinavia  
Y : PX(Far East, Hawaii)  
Y : AAFES(Europe)  
K : USA  
T : Europe  
X : Australia  
P : Canada  
E : Europe  
M : Other Areas  
R : Mexico  
G : Germany  
Q : Russia

Δ indicates safety critical components.

# C-V100/V150/V300/V350

## PARTS LIST

\* New Parts  
Parts without **Parts No.** are not supplied.  
Les articles non mentionnés dans le **Parts No.** ne sont pas fournis.  
Teile ohne **Parts No.** werden nicht geliefert.

Ref. No	Add-ress	New Parts	Parts No.	Description	Desti-nation	Re-marks
Q5			2SC4116(Y,GR)	TRANSISTOR		
Q6			2SD1819A(Q,R)	TRANSISTOR		
Q7 ,8			2SA1576A(R,S)	TRANSISTOR	YMIC	
Q9 ,10			2SA1586(Y,GR)	TRANSISTOR	YMIC	
Q9 ,10			2SB1218A(Q,R)	TRANSISTOR		
A1			W02-2582-05	FM FRONT-END ASSY		
<b>TUNER(X05-4680-10)</b>						
C1			CE04LW1C470M	ELECTRO		
C2			CE04LW1H010M	ELECTRO		
C3			CK73FB1H103K	CHIP C	ET	
C5			CK73FB1H103K	CHIP C		
C6 -10			CK73FB1H103K	CHIP C		
C30			CK73EB1E473K	CHIP C		
C31			CE04LW1C470M	ELECTRO		
C32			CK73FB1H103K	CHIP C		
C33			CE04LW1C100M	ELECTRO		
C34			CK73FB1H103K	CHIP C		
C35			CE04LW1C100M	ELECTRO		
C36			CK73FB1E473K	CHIP C		
C37			CK73FB1H103K	CHIP C		
C38			C90-3217-05	ELECTRO		
C40			C90-3253-05	ELECTRO		
C41			C90-3251-05	ELECTRO		
C42			C90-3240-05	ELECTRO		
C43			CE04LW1HR47M	ELECTRO		
C44			CK73FB1E473K	CHIP C		
C45			CC73FCH1H220J	CHIP C		
C46			CE04LW1A101M	ELECTRO		
C47			CK73FB1H472K	CHIP C		
C48			CC73FSL1H101J	CHIP C		
C49			CE04LW1H010M	ELECTRO		
C50			CK73FB1H152K	CHIP C		
C51 ,52			C90-3217-05	ELECTRO		
C53 ,54			CK73FB1H223K	CHIP C	ET	
C55 ,54			CK73FB1H333K	CHIP C	ET	
C55 ,56			CE04LW1H2R2M	ELECTRO	KP	
C57 ,58			CK73FB1H822K	CHIP C		
C59			CC73FSL1H101J	CHIP C		
C60			CK73FB1E104K	CHIP C	ET	
C61			CK73FB1H103K	CHIP C	ET	
C62			CK73FB1H333K	CHIP C	T	
C63			CC73FCH1H090D	CHIP C	T	
C64			CK73FB1H333K	CHIP C		
C66			CC73FCH1H060D	CHIP C		
C67			CC73FCH1H220J	CHIP C		
C68			CC73FSL1H020C	CHIP C		
C70			CC73FSL1H101J	CHIP C		
C73			CK73FB1H821K	CHIP C	KP	
C81			CC73FCH1H220J	CHIP C		

L : Scandinavia  
Y : PX(Far East, Hawaii)  
Y : AAFES(Europe)

K : USA  
T : Europe  
X : Australia

P : Canada  
E : Europe  
M : Other Areas

R : Mexico  
G : Germany  
Q : Russia

△ indicates safety critical components.

\* New Parts  
Parts without **Parts No.** are not supplied.  
Les articles non mentionnés dans le **Parts No.** ne sont pas fournis.  
Teile ohne **Parts No.** werden nicht geliefert.

Ref. No	Add-ress	New Parts	Parts No.	Description	Desti-nation	Re-marks
C82			CC73FCH1H270J	CHIP C		
C84			CK73FB1H102K	CHIP C		
C85			CK73FSL1H101J	CHIP C		
C86			CK73FB1H102K	CHIP C		
C87			CE04LW1C100M	ELECTRO		
C89			CE04LW1C470M	ELECTRO		
C90			CE04LW1H2R2M	ELECTRO		
C91			CK73FB1H223K	CHIP C		
C92			CC73FSL1H471J	CHIP C		
C93			CK73FB1H103K	CHIP C		
C96			CK73FB1H102K	CHIP C		
CN1			E40-4609-05	PIN ASSY		
CN2			E40-4871-05	PIN ASSY		
J1			E70-0052-05	LOCK TERMINAL BOARD		
CF1 ,2			L72-0536-05	CERAMIC FILTER	ET	
CF1 ,2			L72-0596-05	CERAMIC FILTER	KP	
L31			L30-0943-05	FM IFT		
L32			L30-0944-05	FM IFT		
L33			L30-0911-05	AM IFT		
L34			L79-1240-05	LC FILTER	ET	
L35 ,36			L79-1239-05	LC FILTER		
L61			L40-1091-17	SMALL FIXED INDUCTOR(1UH)		
L62			L39-1351-05	COMBINATION COIL	KPE	
L62			L39-1352-05	COMBINATION COIL	T	
L63			L40-1001-17	SMALL FIXED INDUCTOR(10UH,K)		
L81			L40-1091-17	SMALL FIXED INDUCTOR(1UH)		
X31			L78-0637-05	RESONATOR (456KHZ)		
X81			L77-2159-05	CRYSTAL RESONATOR(7.2MHZ)		
R1			RD14NB2E221J	RD		
R2			RK73FB2A221J	CHIP R		
R3			RK73FB2A182J	CHIP R		
R3			RK73FB2A561J	CHIP R		
R4			RK73FB2A222J	CHIP R		
R5			RK73FB2A103J	CHIP R		
R7			RK73FB2A221J	CHIP R		
R8			RK73FB2A681J	CHIP R		
R9			RK73FB2A470J	CHIP R		
R10			RK73FB2A101J	CHIP R		
R11			RK73FB2A331J	CHIP R		
R12			RK73FB2A101J	CHIP R		
R13			RK73FB2A681J	CHIP R		
R14			RK73FB2A332J	CHIP R		
R15			RK73FB2A331J	CHIP R		
R16			RK73FB2A100J	CHIP R		
R16			RK73FB2A150J	CHIP R		
R17			RK73FB2A331J	CHIP R		
R18			RK73FB2A391J	CHIP R		
R19			RK73FB2A681J	CHIP R		
R20			RK73FB2A100J	CHIP R		
R20			RK73FB2A150J	CHIP R		
R21			RK73FB2A101J	CHIP R		
R22			RK73FB2A100J	CHIP R		
R31			RS14KB3A151JFR	FL-PROOF RS		

L : Scandinavia  
Y : PX(Far East, Hawaii)  
Y : AAFES(Europe)

K : USA  
T : Europe  
X : Australia

P : Canada  
E : Europe  
M : Other Areas

R : Mexico  
G : Germany  
Q : Russia

△ indicates safety critical components.

# C-V100/V150/V300/V350

## PARTS LIST

\* New Parts  
Parts without **Parts No.** are not supplied.  
Les articles non mentionnés dans le **Parts No.** ne sont pas fournis.  
Teile ohne **Parts No.** werden nicht geliefert.

9

Ref. No	Add- ress	New Parts	Parts No.	Description	Desti- nation	Re- marks
R32			RK73EB2B562J	CHIP R		
R33			RK73FB2A302J	CHIP R		
R34			RK73FB2A822J	CHIP R		
R35			RK73FB2A333J	CHIP R		
R36			RK73FB2A393J	CHIP R		
R37			RK73FB2A242J	CHIP R		
R38			RK73FB2A333J	CHIP R		
R39			RK73FB2A823J	CHIP R		
R40			RK73FB2A202J	CHIP R		
R41			RK73FB2A222J	CHIP R		
R42			RK73FB2A202J	CHIP R		
R43,44			RK73FB2A222J	CHIP R	ET	
R45,46			RK73FB2A102J	CHIP R		
R47,48			RK73FB2A392J	CHIP R		
R49			RK73FB2A473J	CHIP R		
R51			RK73FB2A392J	CHIP R		
R52			RK73FB2A104J	CHIP R		
R53			RK73FB2A102J	CHIP R		
R55			RK73FB2A562J	CHIP R		
R56,57			RK73FB2A101J	CHIP R		
R59			RK73FB2A272J	CHIP R		
R61			RK73FB2A223J	CHIP R	T	
R62			RK73FB2A105J	CHIP R	T	
R63			RK73FB2A473J	CHIP R	T	
R64			RK73FB2A103J	CHIP R	T	
R65			RK73FB2A153J	CHIP R	T	
R66			RK73FB2A152J	CHIP R	T	
R67			RK73FB2A104J	CHIP R	T	
R68			RK73FB2A222J	CHIP R	T	
R69			RK73FB2A103J	CHIP R		
R70			RK73FB2A105J	CHIP R		
R80			RK73EB2B102J	CHIP R		
R81-83			RK73FB2A102J	CHIP R		
R84			RK73FB2A103J	CHIP R		
R85-88			RK73FB2A102J	CHIP R		
R89			RD14NB2E101J	RD		
R90			RK73FB2A562J	CHIP R		
R91			RK73FB2A222J	CHIP R		
R92			RK73FB2A123J	CHIP R		
R93			RK73FB2A122J	CHIP R		
R94			RD14NB2E561J	RD		
R101,102			RK73FB2A102J	CHIP R		
R103			RK73FB2A821J	CHIP R		
R104			RK73FB2A473J	CHIP R		
R105			RK73FB2A822J	CHIP R		
W51,52			R92-0670-05	CHIP R	KPE	
W53			R92-0670-05	CHIP R	KPE	
W54,55			R92-0670-05	CHIP R	T	
W56			R92-0679-05	CHIP R		
W57,58			R92-0679-05	CHIP R		
W59			R92-0670-05	CHIP R		
W61			R92-0670-05	CHIP R		
W62-64			R92-0679-05	CHIP R		
W66,67			R92-0679-05	CHIP R		
W71			R92-0670-05	CHIP R		

L : Scandinavia  
Y : PX(Far East, Hawaii)  
Y : AAFES(Europe)

K : USA  
T : Europe  
X : Australia

P : Canada  
E : Europe  
M : Other Areas

R : Mexico  
G : Germany  
Q : Russia

Δ indicates safety critical components.

\* New Parts  
Parts without **Parts No.** are not supplied.  
Les articles non mentionnés dans le **Parts No.** ne sont pas fournis.  
Teile ohne **Parts No.** werden nicht geliefert.

10

Ref. No	Add- ress	New Parts	Parts No.	Description	Desti- nation	Re- marks
W75			R92-0670-05	CHIP R	T	
W76			R92-0670-05	CHIP R		
W81			R92-0679-05	CHIP R		
W83			R92-0679-05	CHIP R		
W85			R92-0670-05	CHIP R	ET	
D1			HSS104	DIODE		
D1			1SS133	DIODE		
D2			HSS104	DIODE	ET	
D2			1SS133	DIODE	ET	
D31			HZS8.2N(B2)	ZENER DIODE		
D31			RD8.2ES(B2)	ZENER DIODE		
D32			HSS104	DIODE		
D32			1SS133	DIODE		
D61,62			HSS104	DIODE		
D61,62			1SS133	DIODE		
D81			HZS5.1N(B2)	ZENER DIODE		
D81			RD5.1ES(B2)	ZENER DIODE		
D101			HZS3.3N(B2)	ZENER DIODE		
D101			RD3.3ES(B2)	ZENER DIODE		
D102			HZS2.7N(B2)	ZENER DIODE		
D102			RD2.7ES(B2)	ZENER DIODE		
IC1			LA1836	ANALOGUE IC		
IC2			LC72131	MOS-IC		
Q1,2			2SC4081(R,S)	TRANSISTOR		
Q1,2			2SC4116(Y,GR)	TRANSISTOR		
Q3			2SA1576A(R,S)	TRANSISTOR		
Q3			2SA1586(Y,GR)	TRANSISTOR		
Q4			2SC4081(R,S)	TRANSISTOR		
Q4			2SC4116(Y,GR)	TRANSISTOR		
Q31,32			2SC4081(R,S)	TRANSISTOR		
Q31,32			2SC4116(Y,GR)	TRANSISTOR		
Q33,34			2SC4081(R,S)	TRANSISTOR	ET	
Q33,34			2SC4116(Y,GR)	TRANSISTOR	ET	
Q61,62			2SC4081(R,S)	TRANSISTOR	T	
Q61,62			2SC4116(Y,GR)	TRANSISTOR	T	
Q63			2SC2878(B)	TRANSISTOR	T	
Q64			2SA1576A(R,S)	TRANSISTOR	T	
Q64			2SA1586(Y,GR)	TRANSISTOR	T	
Q65			2SK302(Y,GR)	FET	T	
Q81			2SA1576A(R,S)	TRANSISTOR	T	
Q81			2SA1586(Y,GR)	TRANSISTOR	T	
Q101,102			2SD1757K	TRANSISTOR		
Q103			2SA1576A(R,S)	TRANSISTOR		
Q103			2SA1586(Y,GR)	TRANSISTOR		
A1			W02-2582-05	FM FRONT-END ASSY	KP	
A1			W02-2584-05	FM FRONT-END ASSY	ET	
<b>PRE(X08-2760-10 / X08-2810-20)</b>						
C1-4		35	CF92FV1H104J	MF-O		
C5,6		35	CE04KW1H220M	ELECTRO	J	0.10UF 50WV
C7,8			CE04KW1A101M	ELECTRO	K	100UF 10WV
C11,12			CK45FB1H102K	CERAMIC		1000PF
C13,14			CE04KW1H100M	ELECTRO		10UF 50WV
C15,16			CE04KW1H3R3M	ELECTRO		3.3UF 50WV
C17-21			CC45FSL1H101J	CERAMIC	J	100PF

L : Scandinavia  
Y : PX(Far East, Hawaii)  
Y : AAFES(Europe)

K : USA  
T : Europe  
X : Australia

P : Canada  
E : Europe  
M : Other Areas

R : Mexico  
G : Germany  
Q : Russia

Δ indicates safety critical components.

# C-V100/V150/V300/V350

## PARTS LIST

\* New Parts  
Parts without **Parts No.** are not supplied.  
Les articles non mentionnés dans le **Parts No.** ne sont pas fournis.  
Teile ohne **Parts No.** werden nicht geliefert.

12

Ref. No	Add-ress	New Parts	Parts No.	Description	Destination	Re-marks
C105,106	35		CC45FSL1H100D	CERAMIC		
C105,106	15		CC45FSL1H101J	CERAMIC		D
C107,108			CC45FSL1H101J	CERAMIC		J
C110			CC45FSL1H101J	CERAMIC		J
C111	15		CE04KW1H010M	ELECTRO		50WV
C111	35		CE04KW1H4R7M	ELECTRO		50WV
C112,113	15		CC45FSL1H101J	CERAMIC		J
C114	35		CE04KW1H010M	ELECTRO		50WV
C114	35		CE04KW1H4R7M	ELECTRO		50WV
C115	35		CE04KW1H2R2M	ELECTRO		50WV
C116	35		CE04KW1H0R1M	ELECTRO		50WV
C116	15		CE04KW1H2R2M	ELECTRO		50WV
C117	35		CE04KW1V4R7M	ELECTRO		35WV
C118	35		CE04KW1H0R1M	ELECTRO		50WV
C118	15		CE04KW1H2R2M	ELECTRO		50WV
C119	35		CE04KW1H2R2M	ELECTRO		50WV
C121	35		CE04KW1V4R7M	ELECTRO		35WV
C122,123	35		CC45FSL1H101J	CERAMIC		J
C124	35		CE04KW1H4R7M	ELECTRO		50WV
C125	35		CE04KW1H2R2M	ELECTRO		50WV
C126	35		CE04KW1H0R1M	ELECTRO		50WV
C127	35		CE04KW1V4R7M	ELECTRO		35WV
C128,129	35		CE04KW1H2R2M	ELECTRO		50WV
C131,132	35		CC45FSL1H100D	CERAMIC		D
C133	35		CK45FB1H102K	CERAMIC		1000PF
C134,135	35		CK45FF1H103Z	CERAMIC		0.010UF
C141,142	35		CC45FSL1H470J	CERAMIC		47PF
C143	35		CE04HW1E100M	NP-ELEC		10UF
C144,145	35		CC45FSL1H470J	CERAMIC		47PF
C146	35		CE04HW1E100M	NP-ELEC		10UF
C147	35		CC45FSL1H470J	CERAMIC		47PF
C148	35		CE04HW1E100M	NP-ELEC		10UF
C151,152	15		CE04KW1H100M	ELECTRO		25WV
C153,154	35		CK45FF1H103Z	CERAMIC		50WV
C155	35		CE04KW1C221M	ELECTRO		0.010UF
C160			CC45FSL1H271J	CERAMIC		270PF
C161			CK45FB1H471K	CERAMIC		470PF
C162			CE04KW1H010M	ELECTRO		1.0UF
C163			CK45FB1H102K	CERAMIC		1000PF
C164			CE04KW1H010M	ELECTRO		1.0UF
C165			CE04KW1A101M	ELECTRO		100UF
CN1			E40-4609-05	PIN ASSY		
CN2			E40-4902-05	FLAT CABLE CONNECTOR		
CN3			E40-4902-05	FLAT CABLE CONNECTOR		
J1			E11-0280-05	PHONE JACK		
J1			E11-0282-05	PHONE JACK		
J2			E63-0163-05	PHONO JACK		
J3			E63-1005-05	PHONO JACK		
J4			E11-0283-05	MINIATURE PHONE JACK(3P)		
W5 ,6			E31-0001-00	JUMPER WIRE		
W9			E31-0001-00	JUMPER WIRE		
W11			E31-0001-00	JUMPER WIRE		
W13 -17			E31-0001-00	JUMPER WIRE		
W19 -28			E31-0001-00	JUMPER WIRE		

L : Scandinavia  
Y : PX(Far East, Hawaii)  
Y : AAFES(Europe)  
K : USA  
T : Europe  
X : Australia  
P : Canada  
E : Europe  
M : Other Areas  
R : Mexico  
G : Germany  
Q : Russia  
3 : C-V300  
10 : C-V100  
15 : C-V100/V150  
35 : C-V300/V350  
350 : C-V350

△ indicates safety critical components.

\* New Parts  
Parts without **Parts No.** are not supplied.  
Les articles non mentionnés dans le **Parts No.** ne sont pas fournis.  
Teile ohne **Parts No.** werden nicht geliefert.

11

Ref. No	Add-ress	New Parts	Parts No.	Description	Destination	Re-marks
C22	35		CC45FSL1H101J	CERAMIC		J
C23	35		CC45FSL1H101J	CERAMIC		J
C24	35		CC45FSL1H101J	CERAMIC		J
C27			CK45FB1H102K	CERAMIC		K
C28	35		CK45FB1H102K	CERAMIC		K
C29	15		CE04KW1H0R1M	ELECTRO		50WV
C29	35		CE04KW1H100M	ELECTRO		50WV
C30	35		CE04KW1H100M	ELECTRO		50WV
C31 ,32	35		CC45FSL1H101J	CERAMIC		J
C34			CK45FB1H102K	CERAMIC		K
C35	15		CE04KW1H0R1M	ELECTRO		50WV
C35	35		CE04KW1H100M	ELECTRO		50WV
C36			CE04KW1H2R2M	ELECTRO		50WV
C37			CE04KW1C220M	ELECTRO		16WV
C39			CE04KW1C220M	ELECTRO		16WV
C40	350		CE04KW1C220M	ELECTRO	ET	
C41			CE04KW1H2R2M	ELECTRO		16WV
C43			CF92FV1H224J	MF-C		50WV
C44			CQ93FMG1H333J	MYLAR		J
C45			CF92FV1H564J	MF-C		J
C46			CK45FB1H102K	CERAMIC		K
C47			CE04KW1H220M	ELECTRO		50WV
C48			CE04KW1C330M	ELECTRO		16WV
C49			CE04KW1H2R2M	ELECTRO		50WV
C50	35		CE04KW1H2R2M	ELECTRO		50WV
C51			CK45FF1H103Z	CERAMIC		Z
C52			CE04HW1E100M	NP-ELEC		25WV
C52			CE04HW1H010M	NP-ELEC		50WV
C55			CK45FF1H103Z	CERAMIC		Z
C56			CE04KW1H010M	ELECTRO		50WV
C61 ,62			CE04KW1H010M	ELECTRO		50WV
C63 ,64			CE04KW1H220M	ELECTRO		50WV
C67 ,68			CK45FF1H472Z	CERAMIC		Z
C69 ,70			CE04KW1H010M	ELECTRO		50WV
C71			CQ93FMG1H103J	MYLAR		J
C72			CQ93FMG1H102J	MYLAR		J
C73			CQ93FMG1H103J	MYLAR		J
C74			CQ93FMG1H102J	MYLAR		J
C75			CQ93FMG1H103J	MYLAR		J
C76			CQ93FMG1H102J	MYLAR		J
C77	35		CQ93FMG1H103J	MYLAR		J
C78	35		CQ93FMG1H102J	MYLAR		J
C79			CQ93FMG1H103J	MYLAR		J
C80			CQ93FMG1H391K	MYLAR		K
C81 ,82			CE04KW1H2R2M	ELECTRO		50WV
C83 ,84			CE04KW1H100M	ELECTRO		50WV
C85 ,86			CE04KW1H010M	ELECTRO		50WV
C87 ,88			CQ93FMG1H562J	MYLAR		J
C89 -92			CF92FV1H104J	MF-C		J
C93 ,94			CQ93FMG1H223J	MYLAR		J
C95 ,96			CQ93FMG1H183J	MYLAR		J
C97 ,98			CE04KW1H2R2M	ELECTRO		50WV
C99			CE04KW1C470M	ELECTRO		16WV
C101			CE04KW1V4R7M	ELECTRO		47UF
C104			CF92FV1H104J	MF-C		0.10UF

L : Scandinavia  
Y : PX(Far East, Hawaii)  
Y : AAFES(Europe)  
K : USA  
T : Europe  
X : Australia  
P : Canada  
E : Europe  
M : Other Areas  
R : Mexico  
G : Germany  
Q : Russia  
3 : C-V300  
10 : C-V100  
15 : C-V100/V150  
35 : C-V300/V350  
350 : C-V350

△ indicates safety critical components.

# C-V100/V150/V300/V350

## PARTS LIST

\* New Parts  
 Parts without **Parts No.** are not supplied.  
 Les articles non mentionnés dans le **Parts No.** ne sont pas fournis.  
 Teile ohne **Parts No.** werden nicht geliefert.

72

\* New Parts  
 Parts without **Parts No.** are not supplied.  
 Les articles non mentionnés dans le **Parts No.** ne sont pas fournis.  
 Teile ohne **Parts No.** werden nicht geliefert.

73

Ref. No	Add-ress	New Parts	Parts No.	Description	Desti-nation	Re-marks
W31 -36	35		E31-0001-00	JUMPER WIRE		
W39	35		E31-0001-00	JUMPER WIRE		
W43	35		E31-0001-00	JUMPER WIRE		
E1 ,2	15		J19-3290-05	LEAD HOLDER		
E5 -9			J11-0809-05	WIRE CLAMPER		
R7 ,8	35		RD14BB2C223J	RD	J	1/6W
R9 ,10	35		RD14BB2C113J	RD	J	1/6W
R11 ,12	35		RD14BB2C331J	RD	J	1/6W
R31 ,32	15		RD14BB2C103J	RD	J	1/6W
	35		RD14BB2C153J	RD	J	1/6W
R34	35		RD14BB2C432J	RD	J	1/6W
R36	35		RD14BB2C182J	RD	J	1/6W
R44	35		RD14BB2C473J	RD	J	1/6W
R48	35		RD14BB2C473J	RD	J	1/6W
R50	35		RD14BB2C242J	RD	J	1/6W
R54	35		RD14BB2C220J	RD	J	1/6W
R56	35		RD14BB2C220J	RD	J	1/6W
R61	15		RD14BB2C103J	RD	J	1/6W
R61	35		RD14BB2C153J	RD	J	1/6W
R66	15		RD14BB2C471J	RD	J	1/6W
R66	35		RD14BB2C821J	RD	J	1/6W
R87 -89	15		RD14BB2C103J	RD	J	1/6W
R87 -89	35		RD14BB2C113J	RD	J	1/6W
R93	35		RD14BB2C102J	RD	J	1/6W
R111,112	35		RS14KB3A470J	FL-PROOF RS	J	1W
R119,120	35		RS14KB3D101J	FL-PROOF RS	J	2W
R137-139	35		RD14BB2C102J	RD	J	1/6W
R140	35		RS14KB3A121J	FL-PROOF RS	J	1W
R143-145	35		RD14BB2C224J	RD	J	1/6W
R146	35		RD14BB2C563J	RD	J	1/6W
R151-155	35		RD14BB2C562J	RD	J	1/6W
R156	35		RD14BB2C333J	RD	J	1/6W
R170	35		RD14BB2C750J	RD	J	1/6W
R173	35		RD14BB2C102J	RD	J	1/6W
R174,175	35		RS14KB3A391J	FL-PROOF RS	J	1W
R181			RD14NB2E152J	RD	J	1/4W
R219			RD14NB2E181J	RD	J	1/4W
R226	35		RD14BB2C223J	RD	J	1/6W
D1 ,2			HZS8.2N(B2)	ZENER DIODE		
D1 ,2			MTZJ8.2(B)	ZENER DIODE		
D1 ,2			RD8.2ES(B2)	ZENER DIODE		
D1 ,2			UZ-8.2BSB	ZENER DIODE		
D3	35		HZS8.2N(B2)	ZENER DIODE		
D3	35		MTZJ8.2(B)	ZENER DIODE		
D3	35		RD8.2ES(B2)	ZENER DIODE		
D3	35		UZ-8.2BSB	ZENER DIODE		
D4 ,5			HZS8.2N(B2)	ZENER DIODE		
D4 ,5			MTZJ8.2(B)	ZENER DIODE		
D4 ,5			RD8.2ES(B2)	ZENER DIODE		
D4 ,5	35		UZ-8.2BSB	ZENER DIODE		
D6 -10	35		HZS8.2N(B2)	ZENER DIODE		
D6 -10	35		MTZJ8.2(B)	ZENER DIODE		
D6 -10	35		RD8.2ES(B2)	ZENER DIODE		
D6 -10	35		UZ-8.2BSB	ZENER DIODE		

L : Scandinavia  
 Y : PX(Far East, Hawaii)  
 Y : AAFES(Europe)

K : USA  
 T : Europe  
 X : Australia

P : Canada  
 E : Europe  
 M : Other Areas

R : Mexico  
 G : Germany  
 Q : Russia

3 : C-V300  
 10 : C-V100  
 15 : C-V100/V150

35 : C-V300/V350  
 350 : C-V350

Δ indicates safety critical components.

L : Scandinavia  
 Y : PX(Far East, Hawaii)  
 Y : AAFES(Europe)

K : USA  
 T : Europe  
 X : Australia

P : Canada  
 E : Europe  
 M : Other Areas

R : Mexico  
 G : Germany  
 Q : Russia

3 : C-V300  
 10 : C-V100  
 15 : C-V100/V150

35 : C-V300/V350  
 350 : C-V350

Δ indicates safety critical components.



\* New Parts  
Parts without **Parts No.** are not supplied.  
Les articles non mentionnés dans le **Parts No.** ne sont pas fournis.  
Teile ohne **Parts No.** werden nicht geliefert.

15

Ref. No	Add-ress	New Parts	Parts No.	Description	Desti-nation	Re-marks
<b>CONTROL(X11-3730-10 / X11-3790-20)</b>						
C1 -4				CERAMIC	ET	
C5 ,6				CERAMIC	ET	
C7 ,8				CERAMIC	ET	
C9 ,10				CERAMIC	ET	
C11 -14				CERAMIC	ET	
C15 ,16				CERAMIC	ET	
C17 ,18				CERAMIC	ET	
C19 -24	350			CERAMIC	ET	
C25 ,26				CERAMIC	ET	
C27				CERAMIC	MICXET	
C28 -30				CERAMIC		
C31 ,32				ELECTRO		
C33 ,34				CERAMIC		
C35 ,36				ELECTRO		
C37 ,38				ELECTRO		
C39				CERAMIC		
C40				CERAMIC		
C41 -44				MYLAR		
C45				CERAMIC		
C46				NP-ELEC		
C47 ,48				CERAMIC		
C51 ,52				CERAMIC		
C53 ,54				ELECTRO		
C59 ,60				CERAMIC		
C61 ,62				ELECTRO		
C63				ELECTRO		
C64				MF-C		
C66				MYLAR		
C67				ELECTRO		
C68 ,69				CERAMIC		
C71				MYLAR		
C72				MYLAR		
C73				ELECTRO		
C74 -77				ELECTRO		
C78				ELECTRO		
C79 ,80				MYLAR		
C81				ELECTRO		
C82				ELECTRO		
C83				ELECTRO		
C84				ELECTRO		
C85				MF-C		
C86				ELECTRO		
C87 ,88				MF-C		
C89				ELECTRO		
C90				MF-C		
C91				ELECTRO		
C92				ELECTRO		
C93				ELECTRO		
C94				ELECTRO		
C95 ,96				MYLAR		
C97				ELECTRO		
C98				MF-C		
C99				MYLAR		

L : Scandinavia  
Y : PX(Far East, Hawaii)  
Y : AAFES(Europe)

K : USA  
T : Europe  
X : Australia

P : Canada  
E : Europe  
M : Other Areas

R : Mexico  
G : Germany  
Q : Russia

3 : C-V300  
10 : C-V100  
15 : C-V100/V150

35 : C-V300/V350  
350 : C-V350

△ indicates safety critical components.

# C-V100/V150/V300/V350

## PARTS LIST

\* New Parts  
Parts without **Parts No.** are not supplied.  
Les articles non mentionnés dans le **Parts No.** ne sont pas fournis.  
Teile ohne **Parts No.** werden nicht geliefert.

15

Ref. No	Add-ress	New Parts	Parts No.	Description	Desti-nation	Re-marks
C100			CE04KW1H2R2M	ELECTRO		
C101			CQ93FMG1H103J	MYLAR		50WV
C102			CE04KW1HR33M	ELECTRO		J
C103			CE04KW1C221M	ELECTRO		50WV
C104			CE04KW1HR47M	ELECTRO		16WV
C105			CQ93FMG1H823J	MYLAR		50WV
C106			CQ93FMG1H332J	MYLAR		J
C107			CQ93FMG1H823J	MYLAR		J
C108			CE04KW1C221M	ELECTRO		16WV
C109			CQ93FMG1H104J	MYLAR		J
C111-114			CC45FSL1H101J	CERAMIC		
C115-117			CK45FB1H102K	CERAMIC		J
C118,119			CK45FF1H103Z	CERAMIC		K
C120,121			CC45FCH1H180J	CERAMIC		Z
C122			CK45FF1H103Z	CERAMIC		J
C123			CE04KW0J331M	ELECTRO		Z
C124			CE04KW1A101M	ELECTRO		6.3WV
C133			CE04KW1E470M	ELECTRO		10WV
C136			CQ93FMG1H104J	MYLAR		25WV
C137,138			CK45FB1H102K	CERAMIC		J
C139			CE04KW1H100M	ELECTRO		K
C141-144			CK45FF1H103Z	ELECTRO		50WV
C145			CE04KW1H102M	CERAMIC		Z
C146			CK45FB1H391K	ELECTRO		50WV
C147			CE04KW1E470M	ELECTRO		390PF
C150			CE04KW1E470M	ELECTRO		47UF
C151			CE04KW1H102M	ELECTRO		25WV
C152			CE04KW1V4R7M	ELECTRO		47UF
C156			CE04KW1E470M	ELECTRO		1000UF
C157			CK45FF1H103Z	CERAMIC		47UF
C158			CE04KW1H100M	ELECTRO		0.010UF
C159			CK45FF1H103Z	ELECTRO		50WV
C160			CE04KW1E102M	CERAMIC		Z
C161			CK45FF1H103Z	ELECTRO		25WV
C162			CE04KW1C220M	ELECTRO		0.010UF
C163			CK45FB1H102K	CERAMIC		Z
C164			CE04KW1A470M	ELECTRO		1000PF
C165			CK45FF1H103Z	CERAMIC		47UF
C166			CE04KW1J331M	ELECTRO		10WV
C167			CK45FF1H103Z	ELECTRO		Z
C168			CE04KW1H100M	CERAMIC		63WV
C169			CK45FB1H102K	ELECTRO		K
C170			CE04KW1H100M	CERAMIC		K
C171		*	C90-3747-05	ELECTRO		1000PF
C172		*	C90-3749-05	ELECTRO		1000PF
C173,174			CE04KW1H010M	ELECTRO		47UF
C175			CK45FB1H102K	CERAMIC		10WV
C176			CK45FF1H103Z	CERAMIC		K
C177			C90-3623-05	BACK UP		1000PF
C178			CK45FF1H103Z	CERAMIC		0.010UF
C179,180			CE04KW1E470M	ELECTRO		Z
C181-185			CK45FF1H103Z	CERAMIC		47UF
C186			C91-1488-05	MF		0.010UF
C189,190			CC45FSL1H221J	CERAMIC		6800PF

L : Scandinavia  
Y : PX(Far East, Hawaii)  
Y : AAFES(Europe)

K : USA  
T : Europe  
X : Australia

P : Canada  
E : Europe  
M : Other Areas

R : Mexico  
G : Germany  
Q : Russia

3 : C-V300  
10 : C-V100  
15 : C-V100/V150

35 : C-V300/V350  
350 : C-V350

△ indicates safety critical components.

## PARTS LIST

\* New Parts  
Parts without **Parts No.** are not supplied.  
Les articles non mentionnés dans le **Parts No.** ne sont pas fournis.  
Teile ohne **Parts No.** werden nicht geliefert.

17

Ref. No	Add-ress	New Parts	Parts No.	Description	Desti-nation	Re-marks
C191			CK45FF1H103Z	CERAMIC		
C192			CE04KW1H100M	ELECTRO	ET	
C192	3		CE04KW1H100M	ELECTRO	MICX	
C193			CK45FF1H103Z	CERAMIC		
C194			CE04HW1H2R2M	NP-ELEC		
C195			CE04KW1H010M	ELECTRO		
C196-199			CC45FSL1H221J	220PF		
C200			CE04KW1E470M	ELECTRO		
C201			CK45FB1H391K	390PF		
C202			CK45FB1H103Z	CERAMIC		
CN1			E40-4245-05	PIN ASSY	MICX	
CN1		*	E40-8126-05	PIN ASSY	KPYET	
CN3			E40-4918-05	FLAT CABLE CONNECTOR		
CN4	10		E40-4902-05	FLAT CABLE CONNECTOR		
CN4	3		E40-4906-05	FLAT CABLE CONNECTOR	MICX	
CN4			E40-4908-05	FLAT CABLE CONNECTOR		
CN15			E40-3249-05	PIN ASSY	ET	
CN16			E40-4902-05	FLAT CABLE CONNECTOR	MICXET	
CN17	35		E40-4902-05	FLAT CABLE CONNECTOR		
CN18			E40-4607-05	FLAT CABLE CONNECTOR		
J1 -3			E63-0139-15	PHONO JACK		
J4	35		E63-0111-05	PHONO JACK		
J5			E11-0293-05	MINIATURE PHONE JACK(2P)		
J6			E03-0148-05	AC OUTLET	KPY	
J6			E03-0149-05	AC OUTLET	EMI	
J6			E03-0310-05	AC OUTLET	T	
J6			E03-0325-05	AC OUTLET	X	
J6			E03-0330-05	AC OUTLET	C	
J7			E58-0018-05	RECTANGULAR RECEPTACLE		
W207	10		E31-0001-00	JUMPER WIRE		
W228	10		E31-0001-00	JUMPER WIRE		
F1			F05-2525-05	FUSE (SEMKO)		
F2 ,3			F05-8013-05	FUSE (SEMKO)		
F2 ,3			F05-8013-05	FUSE (SEMKO)		
F2 ,3			F50-0067-05	FUSE (5X20)		
CN5 ,6			J13-0075-05	FUSE CLIP		
CN11-14			J13-0075-05	FUSE CLIP		
E10			J11-0808-05	WIRE CLAMPER		
X1			L78-0284-05	RESONATOR (5MHZ)		
X2			L77-2173-05	CRYSTAL RESONATOR(32.768KHZ)		
X4			L78-0674-05	RESONATOR		
X5			L78-0290-05	RESONATOR (8MHZ)		
CP2			R90-0860-05	MULTI-COMP		
CP3			R90-0812-05	MULTI-COMP		
CP4			R90-0864-05	MULTI-COMP		
CP5			R90-0892-05	MULTI-COMP		
CP6			R90-0855-05	MULTI-COMP		
CP7			R90-0482-05	MULTI-COMP		
R37 ,38	35		RD14BB2C102J	RD		
R39 ,40	35		RD14BB2C224J	RD		
R41 ,42	35		RD14BB2C102J	RD		
R43 ,44	35		RD14BB2C224J	RD		
R45 ,46	35		RD14BB2C102J	RD		

L : Scandinavia  
Y : PXI(Far East, Hawaii)  
Y : AAFES(Europe)

K : USA  
T : Europe  
X : Australia

P : Canada  
E : Europe  
M : Other Areas

R : Mexico  
G : Germany  
Q : Russia

3 : C-V300  
10 : C-V100  
15 : C-V100/V150

35 : C-V300/V350  
350 : C-V350

Δ indicates safety critical components.

\* New Parts  
Parts without **Parts No.** are not supplied.  
Les articles non mentionnés dans le **Parts No.** ne sont pas fournis.  
Teile ohne **Parts No.** werden nicht geliefert.

18

Ref. No	Add-ress	New Parts	Parts No.	Description	Desti-nation	Re-marks
R47 ,48	35		RD14BB2C224J	RD		
R68			RD14NB2E681J	RD		
R97	35		RD14BB2C100J	RD		
R186-189	3		RD14BB2C221J	RD	MICX	
R203			RS14KB3D100J	FL-PROOF RS		
R228			RS14KB3D181J	FL-PROOF RS		
R232			R92-1769-05	CARBON	2W	
R233,234	3		RD14BB2E511J	RD	1/2W	
R236			RS14KB3D471J	FL-PROOF RS	1/4W	
R237			RS14KB3D331J	FL-PROOF RS	2W	
R239			RS14KB3D331J	FL-PROOF RS	2W	
R240			RS14KB3D471J	FL-PROOF RS	2W	
R241,242			RD14NB2E1R0J	RD	1/4W	
R251	3		RD14BB2C102J	RD	1/6W	
R255			RS14KB3D1R2J	FL-PROOF RS	2W	
R255			RS14KB3D1R2J	FL-PROOF RS	2W	
R256			RD14NB2E4R7J	RD	1/4W	
R257			RS14KB3A1R0J	FL-PROOF RS	1W	
R258			RS14KB3A470J	FL-PROOF RS	1W	
R259			RD14NB2E100J	RD	1/4W	
R265	3		RD14BB2C103J	RD	10K	
R268	3		RD14BB2C101J	RD	100	
S1			S62-0001-05	SLIDE SWITCH		
D1 -6			HSS104A	DIODE		
D1 -6			1SS131	DIODE		
D11			HSS104A	DIODE		
D11			1SS131	DIODE		
D13			HSS104A	DIODE		
D13			1SS131	DIODE		
D14			HSS104A	DIODE		
D14			1SS131	DIODE		
D15			HSS104A	DIODE		
D15			1SS131	DIODE		
D16			HSS104A	DIODE		
D16			1SS131	DIODE		
D21 -24	35		S5688B	DIODE		
D21 -24	35		1SR139-400	DIODE		
D26			HZS5.1S(B2)	ZENER DIODE		
D26			RD5.1JS(B2)	ZENER DIODE		
D27			HSS104A	DIODE		
D27			1SS131	DIODE		
D28			HZS2.7N(B2)	ZENER DIODE		
D28			MTZJ2.7(B)	ZENER DIODE		
D28			RD2.7ES(B2)	ZENER DIODE		
D28			UZ-2.7BSB	ZENER DIODE		
D29 ,30			HSS104A	DIODE		
D29 ,30			1SS131	DIODE		
D31			S5688B	DIODE		
D31			1SR139-400	DIODE		
D32			HSS104A	DIODE		
D32			1SS131	DIODE		
D33			HZS5.6N(B2)	ZENER DIODE		
D33			MTZJ5.6(B)	ZENER DIODE		

L : Scandinavia  
Y : PXI(Far East, Hawaii)  
Y : AAFES(Europe)

K : USA  
T : Europe  
X : Australia

P : Canada  
E : Europe  
M : Other Areas

R : Mexico  
G : Germany  
Q : Russia

3 : C-V300  
10 : C-V100  
15 : C-V100/V150

35 : C-V300/V350  
350 : C-V350

Δ indicates safety critical components.

# C-V100/V150/V300/V350

## PARTS LIST

\* New Parts  
Parts without **Parts No.** are not supplied.  
Les articles non mentionnés dans le **Parts No.** ne sont pas fournis.  
Teile ohne **Parts No.** werden nicht geliefert.

19

Ref. No	Add-ress	New Parts	Parts No.	Description	Desti-nation	Re-marks
D33			RD5.6ES(B2)	ZENER DIODE		
D33			UZ-5.6BSB	ZENER DIODE		
D34			S5688B	DIODE		
D34			1SR139-400	DIODE		
D35			HZS16N(B2)	ZENER DIODE		
D35			MTZJ16(B)	ZENER DIODE		
D35			RD16ES(B2)	ZENER DIODE		
D35			UZ-16BSB	ZENER DIODE		
D36			HZS18N(B2)	ZENER DIODE		
D36			MTZJ18(B)	ZENER DIODE		
D36			RD18ES(B2)	ZENER DIODE		
D36			UZ-18BSB	ZENER DIODE		
D37-39			HSS104A	DIODE		
D37-39			1SS131	DIODE		
D41			HZS6.2N(B2)	ZENER DIODE		
D41			MTZJ6.2(B)	ZENER DIODE		
D41			RD6.2ES(B2)	ZENER DIODE		
D41			UZ-6.2BSB	ZENER DIODE		
D42			HZS10N(B)	ZENER DIODE		
D42			MTZJ10(B)	ZENER DIODE		
D42			RD10ES(B)	ZENER DIODE		
D42			UZ-10BSB	ZENER DIODE		
D43			HZS3.9N(B2)	ZENER DIODE		
D43			MTZJ3.9(B)	ZENER DIODE		
D43			RD3.9ES(B2)	ZENER DIODE		
D43			UZ-3.9BSB	ZENER DIODE		
D44-46			HSS104A	DIODE		
D44-46			1SS131	DIODE		
D47			S5688B	DIODE		
D47			1SR139-400	DIODE		
D48			HSS104A	DIODE		
D48			1SS131	DIODE		
D49			HZS8.2N(B2)	ZENER DIODE		
D49			MTZJ8.2(B)	ZENER DIODE		
D49			RD8.2ES(B2)	ZENER DIODE		
D49			UZ-8.2BSB	ZENER DIODE		
D50_51			HZS10N(B2)	ZENER DIODE		
D50_51			MTZJ10(B)	ZENER DIODE		
D50_51			RD10ES(B2)	ZENER DIODE		
D50_51			UZ-10BSB	ZENER DIODE		
D52			HZS6.2N(B2)	ZENER DIODE		
D52			MTZJ6.2(B)	ZENER DIODE		
D52			RD6.2ES(B2)	ZENER DIODE		
D52			UZ-6.2BSB	ZENER DIODE		
D53			HZS5.1S(B2)	ZENER DIODE		
D53			RD5.1JS(B2)	ZENER DIODE		
D54-60			HSS104A	DIODE		
D54-60			1SS131	DIODE		
D61	3		HZS8.2S(B2)	ZENER DIODE	ET MICX	
D61			HZS8.2S(B2)	ZENER DIODE		
D61	3		RD8.2JS(B2)	ZENER DIODE	ET MICX	
D61			RD8.2JS(B2)	ZENER DIODE		
IC1			NJU7312AL	ANALOGUE IC		
IC2			NJU7311AL	ANALOGUE IC		
IC3			NJM4565D-D	IC(OP AMP X2)		

L : Scandinavia  
Y : PX(Far East, Hawaii)  
Y : AAFES(Europe)  
K : USA  
T : Europe  
X : Australia  
P : Canada  
E : Europe  
M : Other Areas  
R : Mexico  
G : Germany  
Q : Russia  
3 : C-V300  
10 : C-V100  
15 : C-V100/V150  
35 : C-V300/V350  
350 : C-V350  
indicates safety critical components.  $\Delta$

\* New Parts  
Parts without **Parts No.** are not supplied.  
Les articles non mentionnés dans le **Parts No.** ne sont pas fournis.  
Teile ohne **Parts No.** werden nicht geliefert.

20

Ref. No	Add-ress	New Parts	Parts No.	Description	Desti-nation	Re-marks
IC4			LA2786	ANALOGUE IC		
IC5			LV1016	DI BI-POLAR IC	KPY	
IC6		*	UPD780205GF031	MI-COM IC	MICX	
IC6		*	UPD780205GF031	MI-COM IC	ET	
IC6		*	UPD780206GF019	MI-COM IC		
IC7		*	UPD17215GT-737	MI-COM IC		
IC9			S-806D-Z	ANALOGUE IC	ET	
IC10	3		TA8409S	MOS-IC	MICX	
IC10			TA8409S	MOS-IC		
IC11			NJM4558D	ANALOGUE IC		
Q1_2			2SC2878(B)	TRANSISTOR	YMIC	
Q3			2SA1048(Y,GR)	TRANSISTOR	YMIC	
Q3			2SA1175(F,E)	TRANSISTOR	YMIC	
Q3			2SA1309A(Q,R)	TRANSISTOR	YMIC	
Q3			2SA933AS(Q,R)	TRANSISTOR	YMIC	
Q4			2SD1894	TRANSISTOR		
Q6_7			DTC124ESA	DIGITAL TRANSISTOR	YMIC	
Q6_7			UN4212	DIGITAL TRANSISTOR	YMIC	
Q8			2SB1370(E,F)	TRANSISTOR		
Q8			2SB1375	TRANSISTOR		
Q10			2SD2061	TRANSISTOR	ET	
Q10	3		2SD2061	TRANSISTOR	MICX	
Q11			2SB1370(E,F)	TRANSISTOR		
Q11			2SB1375	TRANSISTOR		
Q12			2SC1740S(Q,R)	TRANSISTOR		
Q12			2SC2458(Y,GR)	TRANSISTOR		
Q12			2SC2785(F,E)	TRANSISTOR		
Q12			2SC3311A(Q,R)	TRANSISTOR		
Q13			2SD2061	TRANSISTOR		
Q14			2SC2003(L,K)	TRANSISTOR		
Q15			2SA1048(Y,GR)	TRANSISTOR		
Q15			2SA1175(F,E)	TRANSISTOR		
Q15			2SA1309A(Q,R)	TRANSISTOR		
Q15			2SA933AS(Q,R)	TRANSISTOR		
Q16			2SD2061	TRANSISTOR		
Q17			2SC1740S(Q,R)	TRANSISTOR		
Q17			2SC2458(Y,GR)	TRANSISTOR		
Q17			2SC2785(F,E)	TRANSISTOR		
Q17			2SC3311A(Q,R)	TRANSISTOR		
Q18			2SB1370(E,F)	TRANSISTOR		
Q18			2SB1375	TRANSISTOR	ET	
Q19			2SD2061	TRANSISTOR	MICX	
Q19			2SD2061	TRANSISTOR		
<b>SUB(X13-7522-70)</b>						
C1			CE04KW1V100M	ELECTRO		
C2			CE04KW1A101M	ELECTRO		
C3_4			CE04KW1C220M	ELECTRO		
C5			CQ93FMG1H102J	MYLAR		
C6			CQ93FMG1H182J	MYLAR		
C7			CQ93FMG1H103J	MYLAR		
C8			CE04KW1A101M	ELECTRO		
C9_10			CC45FCH1H270J	CERAMIC		
C11			CK45FF1H103Z	CERAMIC		
C12			CE04KW1H010M	ELECTRO		

L : Scandinavia  
Y : PX(Far East, Hawaii)  
Y : AAFES(Europe)  
K : USA  
T : Europe  
X : Australia  
P : Canada  
E : Europe  
M : Other Areas  
R : Mexico  
G : Germany  
Q : Russia  
3 : C-V300  
10 : C-V100  
15 : C-V100/V150  
35 : C-V300/V350  
350 : C-V350  
indicates safety critical components.  $\Delta$

## PARTS LIST

\* New Parts  
Parts without  
Les articles non mentionnés dans le **Parts No.** ne sont pas fournis.  
Teile ohne **Parts No.** werden nicht geliefert.

21

Ref. No	Add-ress	New Parts	Parts No.	Description	Desti-nation	Re-marks
C21			CE04KW1H2R2M	ELECTRO		
C22			CC45FSL1H331J	2.2UF		
C23			CK45FB1H561K	330PF	50WV	
C24			CK45FF1H103Z	560PF	J	
C25			CC45FCH1H330J	0.010UF	K	
C26			CC45FCH1H390J	0.010UF	J	
C27			CK45FF1H103Z	33PF	Z	
C28			CE04KW1A101M	39PF	J	
CN1			E40-4808-05	0.010UF	Z	
CN2			E40-4294-05	100UF	10WV	
L1			L40-1001-17	PIN ASSY		
L2			L40-1091-17	FLAT CABLE CONNECTOR		
X1			L78-0626-05	SMALL FIXED INDUCTOR(10UH,K)		
X2			L77-2200-05	SMALL FIXED INDUCTOR		
R33			RD14NB2E101J	RESONATOR (16M)		
D1 -8				CRYSTAL RESONATOR(4.332MHZ)		
D1 -8				RD	100	J 1/4W
IC1			HSS104A	DIODE		
IC2			1SS131	DIODE		
Q1		*	RF5S830-0021	MOS-IC		
Q1			SAA6579	ANALOGUE IC		
Q2			2SC2458(Y,GR)	TRANSISTOR		
Q2			2SC3311A(Q,R)	TRANSISTOR		
Q3			2SA1048(Y,GR)	TRANSISTOR		
Q3			2SA1309A(Q,R)	TRANSISTOR		
Q3			2SC2878(B)	TRANSISTOR		
<b>SUB(X13-7562-70 / X13-7570-20)</b>						
C1 ,2			CE04KW1H100M	ELECTRO		
C3 -6			CC45FSL1H101J	10UF	50WV	
C7			CQ93FMG1H103J	100PF	J	
C8			CQ93FMG1H102J	0.010UF	J	
C9 ,10			CC45FSL1H101J	1000PF	J	
C11			CE04KW1H100M	100PF	J	
C12			CC45FSL1H101J	10UF	50WV	
C13			CK45FB1H102K	1000PF	J	
C14			CQ93FMG1H103J	1000PF	K	
C15			CQ93FMG1H102J	0.010UF	J	
CN1 -3			E40-8180-05	1000PF	J	
IC1 ,2			NJM4565D-D	PIN ASSY		
				IC(OP AMP X2)		
<b>DISPLAY(X14-4360-10 / X14-4500-20)</b>						
C1 ,2			CE04KW1A101M	ELECTRO		
CN1		*	E40-4940-05	100UF	10WV	
CN2		*	E40-8086-05	FLAT CABLE CONNECTOR		
CN4			E40-4808-05	FLAT CABLE CONNECTOR		
		*	J19-5793-03	PIN ASSY		
R1			RD14NB2E470J	HOLDER		
R50 -76			RK73FB2A104J	RD	47	J 1/4W
R77			RK73FB2A102J	CHIP R	100K	J 1/10W
R78			RK73FB2A103J	CHIP R	1.0K	J 1/10W
S1 -15			S70-0031-05	CHIP R	10K	J 1/10W
S30			T99-0559-05	TACT SWITCH		

L : Scandinavia  
Y : PX(Far East, Hawaii)  
Y : AAFES(Europe)

K : USA  
T : Europe  
X : Australia

P : Canada  
E : Europe  
M : Other Areas

R : Mexico  
G : Germany  
Q : Russia

3 : C-V300  
10 : C-V100  
15 : C-V100/V150

35 : C-V300/V350  
350 : C-V350

△ indicates safety critical components.

\* New Parts  
Parts without **Parts No.** are not supplied.  
Les articles non mentionnés dans le **Parts No.** ne sont pas fournis.  
Teile ohne **Parts No.** werden nicht geliefert.

22

Ref. No	Add-ress	New Parts	Parts No.	Description	Desti-nation	Re-marks
ED1		*	20U64100SA	INDICATOR TUBE		
Q1			2SC3246	TRANSISTOR		
Q5 -14			DTA113ZUA	DIGITAL TRANSISTOR	KPY	
Q5 -14			UN5119	DIGITAL TRANSISTOR		
Q15			2SA1576A(R,S)	DIGITAL TRANSISTOR		
Q15			2SA1586(Y,GR)	TRANSISTOR		
Q15			2SB1218A(Q,R)	TRANSISTOR	MICX	
Q16 -31			DTA113ZUA	DIGITAL TRANSISTOR		
Q16 -31			UN5119	DIGITAL TRANSISTOR		
A1		*	W02-2598-05	OPTIC RECEIVING MODULE		
<b>DISPLAY(X14-4372-70 / X14-4510-20)</b>						
D1 -10			B30-2508-05	LED(AMBER,D=3,P=2)		
D11 ,12		*	B30-2519-05	LED(INFRARED,D=5,)		
D13	3	*	B30-2493-05	LED(RED)		
D14	15		B30-2507-05	LED(RED/GRN,D=5)		
C1 ,2			CE04KW1A101M	ELECTRO	100UF	10WV
CN1			E40-4946-05	FLAT CABLE CONNECTOR		
CN2			E40-4956-05	FLAT CABLE CONNECTOR		
CN4	3		E40-4944-05	FLAT CABLE CONNECTOR		
CN5			E40-4609-05	PIN ASSY		
CN6	15		E40-4293-05	FLAT CABLE CONNECTOR		
W1	3		E31-0001-00	JUMPER WIRE		
W2	15		E31-0001-00	JUMPER WIRE		
E6	15	*	J19-5793-03	HOLDER		
			J19-3288-05	LEAD HOLDER		
R1			RD14NB2E470J	RD	47	J 1/4W
R11 ,12	15		RD14BB2C103J	RD	10K	J 1/6W
R13 ,14	15		RD14BB2C222J	RD	2.2K	J 1/6W
R15 ,16	15		RD14BB2C221J	RD	220	J 1/6W
R22	3		RD14BB2C561J	RD	560	J 1/6W
R26 ,27	15		RD14BB2C101J	RD	100	J 1/6W
R50 -76			RK73FB2A104J	CHIP R	100K	J 1/10W
R77			RK73FB2A102J	CHIP R	1.0K	J 1/10W
R78			RK73FB2A103J	CHIP R	10K	J 1/10W
S1 -16			S70-0031-05	TACT SWITCH		
S17 -20	15		S70-0031-05	TACT SWITCH		
S21 -24			S70-0031-05	TACT SWITCH		
S25 ,26	15		S70-0031-05	TACT SWITCH		
S30			T99-0559-05	ROTARY ENCODER		
ED1		*	20U64100SA	INDICATOR TUBE		
Q1			2SC3246	TRANSISTOR		
Q2			2SC2003(L,K)	TRANSISTOR		
Q3 ,4	15		2SA1175(F,E)	TRANSISTOR		
Q3 ,4	15		2SA933AS(Q,R)	TRANSISTOR		
Q5 -14			DTA113ZUA	DIGITAL TRANSISTOR		
Q5 -14			UN5119	DIGITAL TRANSISTOR		
Q15	15		2SA1576A(R,S)	TRANSISTOR		
Q15			2SA1586(Y,GR)	TRANSISTOR		
Q15	3		2SB1218A(Q,R)	TRANSISTOR		
Q16 -31			DTA113ZUA	DIGITAL TRANSISTOR		
Q16 -31			UN5119	DIGITAL TRANSISTOR		
A1		*	W02-2598-05	OPTIC RECEIVING MODULE		

L : Scandinavia  
Y : PX(Far East, Hawaii)  
Y : AAFES(Europe)

K : USA  
T : Europe  
X : Australia

P : Canada  
E : Europe  
M : Other Areas

R : Mexico  
G : Germany  
Q : Russia

3 : C-V300  
10 : C-V100  
15 : C-V100/V150

35 : C-V300/V350  
350 : C-V350

△ indicates safety critical components.

# C-V100/V150/V300/V350

## SPECIFICATIONS

### For C-V350

#### Audio section

Total harmonic distortion (1 KHz, 1V)	0.01 %
Signal to noise ratio (IHF66)	93 dB
CD Input sensitivity / Impedance	200 mV / 47k $\Omega$
CD Tone controls	$\pm$ 8 dB (at 100 Hz)
BASS	$\pm$ 8 dB (at 10 KHz)
TREBLE	
Output level / Impedance	200 mV / 1 k $\Omega$
TAPE REC	

#### Video section

VIDEO inputs / outputs (composite)	1 Vp-p/75 $\Omega$
------------------------------------	--------------------

#### FM Tuner section

Tuning frequency range	87.5 MHz~108 MHz
Usable sensitivity (DIN)	
MONO	1.2 $\mu$ V (at 75 $\Omega$ ) / 13.2 dBf (40 KHz dev., S/N 26 dB)
STEREO	35 $\mu$ V (at 75 $\Omega$ ) / 42 dBf (46 KHz dev., S/N 46 dB)
Signal to noise ratio (DIN weighted at 1 KHz, 40 KHz dev.)	65 dB (65.2 dBf input)
MONO	60 dB (65.2 dBf input)
STEREO	64 dB
Selectivity (DIN $\pm$ 300 KHz)	36 dB
Stereo separation (DIN, 1 KHz)	36 dB
Frequency response	30 Hz~15 KHz, + 0.5 dB, - 3.0 dB

#### MW Tuner section

Tuning frequency range	531 KHz ~ 1,602 KHz
Usable sensitivity (30% mod., S/N 20 dB)	20 $\mu$ V / (700 $\mu$ V / m)
Signal to noise ratio (at 30% mod., 1mV input)	48 dB

#### LW Tuner section

Tuning frequency range	153 KHz ~ 279 KHz
Usable sensitivity (30% mod., S/N 20 dB)	35 $\mu$ V
Signal to noise ratio (at 30% mod., 1mV input)	45 dB

#### General

Power consumption	25 W
AC outlet	UN SWITCHED
Dimensions	2 : (Total 100 W max) W : 400 mm H : 105 mm D : 382 mm
Weight (net)	5.2 kg

### For C-V150

#### Audio section

Total harmonic distortion (1 KHz, 1V)	0.01 %
Signal to noise ratio (IHF66)	93 dB
CD Input sensitivity / Impedance	200 mV / 47k $\Omega$
CD Tone controls	$\pm$ 8 dB (at 100 Hz)
BASS	$\pm$ 8 dB (at 10 KHz)
TREBLE	
Output level / Impedance	200 mV / 1 k $\Omega$
TAPE REC	

#### Video section

VIDEO inputs / outputs (composite)	1 Vp-p/75 $\Omega$
------------------------------------	--------------------

#### FM Tuner section

Tuning frequency range	87.5 MHz~108 MHz
Usable sensitivity (DIN)	
MONO	1.2 $\mu$ V (at 75 $\Omega$ ) / 13.2 dBf (40 KHz dev., S/N 26 dB)
STEREO	35 $\mu$ V (at 75 $\Omega$ ) / 42 dBf (46 KHz dev., S/N 46 dB)
Signal to noise ratio (DIN weighted at 1 KHz, 40 KHz dev.)	65 dB (65.2 dBf input)
MONO	60 dB (65.2 dBf input)
STEREO	64 dB
Selectivity (DIN $\pm$ 300 KHz)	36 dB
Stereo separation (DIN, 1 KHz)	36 dB
Frequency response	30 Hz~15 KHz, + 0.5 dB, - 3.0 dB

#### MW Tuner section

Tuning frequency range	531 KHz ~ 1,602 KHz
Usable sensitivity (30% mod., S/N 20 dB)	20 $\mu$ V / (700 $\mu$ V / m)
Signal to noise ratio (at 30% mod., 1mV input)	48 dB

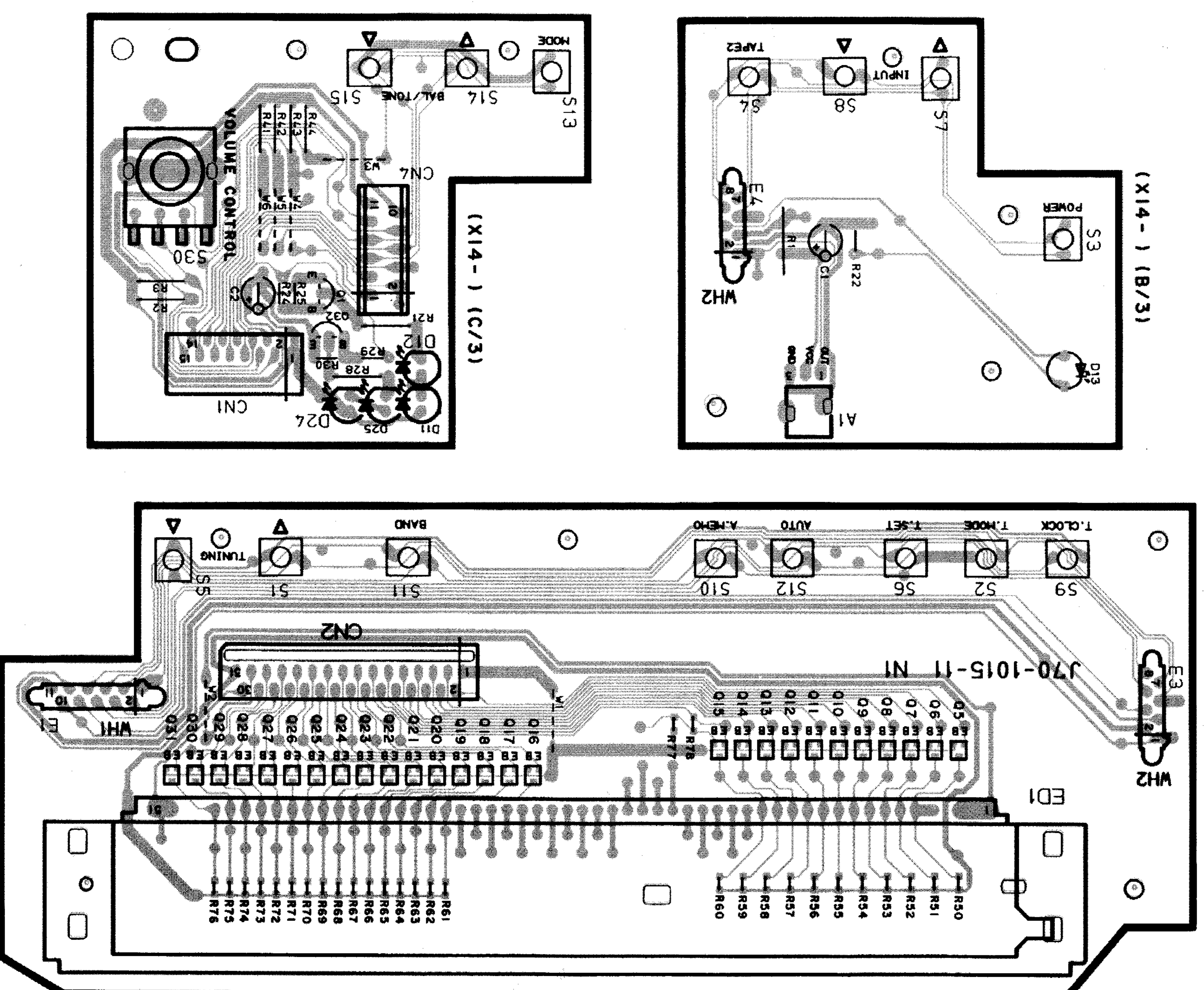
#### LW Tuner section

Tuning frequency range	153 KHz ~ 279 KHz
Usable sensitivity (30% mod., S/N 20 dB)	35 $\mu$ V
Signal to noise ratio (at 30% mod., 1mV input)	45 dB

#### General

Power consumption	25 W
AC outlet	UN SWITCHED
Dimensions	2 : (Total 100 W max) W : 400 mm H : 105 mm D : 382 mm
Weight (net)	5.2 kg

## PC BOARD (Component side view)



1. KENWOOD follows a policy of continuous advancements in development. For this reason specifications may be changed without notice.  
2. Full performance may not be exhibited in extremely cold locations (below 0 deg.C).

Refer to the schematic diagram for the value of resistors and capacitors.

# C-V100/V150/V300/V350

## SPECIFICATIONS

### For C-V300

#### Audio section

Total harmonic distortion (1 KHz, 1V) .....	0.01 %
Signal to noise ratio (IHF66)	
CD .....	93 dB
Input sensitivity / Impedance	200 mV / 47kΩ
CD .....	200 mV / 47kΩ
Tone controls	
BASS .....	± 8 dB (at 100 Hz)
TREBLE .....	± 8 dB (at 10 KHz)
Output level / Impedance	200 mV / 1 kΩ
TAPE REC .....	200 mV / 1 kΩ

#### Video section

VIDEO inputs / outputs	
(composite) .....	1 Vp-p/75 Ω

#### FM Tuner section

Tuning frequency range .....	87.5 MHz~108 MHz
Usable sensitivity	
MONO .....	1.6 V (at 75 Ω) / 15.2 dBf (75 KHz dev., SINAD. 30 dB)
50dB quieting sensitivity	
STEREO .....	31.6 μV (at 75 Ω) / 41.2 dBf (75 KHz dev.)
Signal to noise ratio (1 KHz, 75 KHz dev.)	
MONO .....	75 dB (65.2 dBf input)
STEREO .....	68 dB (65.2 dBf input)
Selectivity (IHF ± 400 KHz) .....	50 dB
Stereo separation (1 KHz) .....	40 dB
Frequency response .....	30 Hz~15 KHz, + 0.5 dB, - 3.0 dB

#### AM Tuner section

Tuning frequency range .....	(9 KHz) 531 KHz ~ 1,602 KHz (10 KHz) 530 KHz ~ 1,610 KHz
Usable sensitivity (30% mod., S/N 20 dB) .....	16 ± V / (600 μ / m)
Signal to noise ratio (at 30% mod. 1mV input) .....	48 dB

#### General

Power consumption .....	25 W
AC outlet .....	2: (Total 100 W max) (Australia 1 : (100 W max))
Dimensions .....	W : 400 mm H : 105 mm D : 382 mm
Weight (net) .....	5.2 kg



1. KENWOOD follows a policy of continuous advancements in development. For this reason specifications may be changed without notice.
2. Full performance may not be exhibited in extremely cold locations (below 0 deg. C).

### For C-V100 (Except U.S.A. and Canada)

#### Audio section

Total harmonic distortion (1 KHz, 1V) .....	0.01 %
Signal to noise ratio (IHF66)	
CD .....	93 dB
Input sensitivity / Impedance	200 mV / 47kΩ
CD .....	200 mV / 47kΩ
Tone controls	
BASS .....	± 8 dB (at 100 Hz)
TREBLE .....	± 8 dB (at 10 KHz)
Output level / Impedance	200 mV / 1 kΩ
TAPE REC .....	200 mV / 1 kΩ

#### Video section

VIDEO inputs / outputs	
(composite) .....	1 Vp-p/75 Ω

#### FM Tuner section

Tuning frequency range .....	87.5 MHz~108 MHz
Usable sensitivity	
MONO .....	1.6 μV (at 75 Ω) / 15.2 dBf (75 KHz dev., SINAD. 30 dB)
50dB quieting sensitivity	
STEREO .....	31.6 μV (at 75 Ω) / 41.2 dBf (75 KHz dev.)
Signal to noise ratio (1 KHz, 75 KHz dev.)	
MONO .....	75 dB (65.2 dBf input)
STEREO .....	68 dB (65.2 dBf input)
Selectivity (IHF ± 400 KHz) .....	50 dB
Stereo separation (1 KHz) .....	40 dB
Frequency response .....	30 Hz~15 KHz, + 0.5 dB, - 3.0 dB

#### AM Tuner section

Tuning frequency range .....	(9 KHz) 531 KHz ~ 1,602 KHz (10 KHz) 530 KHz ~ 1,610 KHz
Usable sensitivity (30% mod., S/N 20 dB) .....	16 μV / (600 μV / m)
Signal to noise ratio (at 30% mod. 1mV input) .....	48 dB

#### General

Power consumption .....	25 W
AC outlet .....	2: (Total 100 W max) (Australia 1 : (100 W max))
Dimensions .....	W : 400 mm H : 105 mm D : 382 mm
Weight (net) .....	3.9 kg

# C-V100/V150/V300/V350

## SPECIFICATIONS

### For C-V100 (U.S.A. and Canada)

#### Audio section

Total harmonic distortion (1 KHz, 1V) .....	0.01 %
Signal to noise ratio (IHF 66)	
CD .....	93 dB
Input sensitivity / Impedance	200 mV / 47kΩ
CD .....	200 mV / 47kΩ
Tone controls	
BASS .....	± 8 dB (at 100 Hz)
TREBLE .....	± 8 dB (at 10 KHz)
Output level / Impedance	200 mV / 1 kΩ
TAPE REC .....	200 mV / 1 kΩ

#### Video section

VIDEO inputs / outputs	
(composite) .....	1 Vp-p/75 Ω

#### FM Tuner section

Tuning frequency range .....	87.5 MHz~108 MHz
Usable sensitivity	
MONO .....	1.6 μV (at 75 Ω) / 15.2 dBf (75 KHz dev., SINAD. 30 dB)
50dB quieting sensitivity	
STEREO .....	31.6 μV (at 75 Ω) / 41.2 dBf (75 KHz dev.)



1. KENWOOD follows a policy of continuous advancements in development. For this reason specifications may be changed without notice.
2. Full performance may not be exhibited in extremely cold locations (below 0 deg. C).

#### General

Component and circuit are subject to modification to insure best operation under differing local conditions. This manual is based on Europe (E) standard, and provides information on regional circuit modification through use of alternate schematic diagrams, and information on regional component variations through use of parts list.

## SPECIFICATIONS

### For C-V100 (U.S.A. and Canada)

#### Audio section

Total harmonic distortion (1 KHz, 1V) .....	0.01 %
Signal to noise ratio (IHF 66)	
CD .....	93 dB
Input sensitivity / Impedance	200 mV / 47kΩ
CD .....	200 mV / 47kΩ
Tone controls	
BASS .....	± 8 dB (at 100 Hz)
TREBLE .....	± 8 dB (at 10 KHz)
Output level / Impedance	200 mV / 1 kΩ
TAPE REC .....	200 mV / 1 kΩ

#### Video section

VIDEO inputs / outputs	
(composite) .....	1 Vp-p/75 Ω

#### FM Tuner section

Tuning frequency range .....	87.5 MHz~108 MHz
Usable sensitivity	
MONO .....	1.6 μV (at 75 Ω) / 15.2 dBf (75 KHz dev., SINAD. 30 dB)
50dB quieting sensitivity	
STEREO .....	31.6 μV (at 75 Ω) / 41.2 dBf (75 KHz dev.)

Power consumption .....	25 W
AC outlet .....	2: (Total 100 W max) UN SWITCHED W : 400 mm (15-3/4") H : 105 mm (4-1/8") D : 382 mm (15-1/16")
Dimensions .....	
Weight (net) .....	3.9 kg (8.6 lb)

## KENWOOD CORPORATION

- 14-6 Dogenzaka 1-chome, Shibuya-ku, Tokyo, 150 Japan
- KENWOOD SERVICE CORPORATION**  
P.O. BOX 22745, 2201 East Dominguez St., Long Beach, CA 90801-5745, U.S.A.
- KENWOOD ELECTRONICS CANADA INC.**  
6070 Kestrel Road, Mississauga, Ontario, Canada L5T 1S8
- KENWOOD ELECTRONICS LATIN AMERICA S.A.**  
P.O. BOX 55-2791, Pico 6 plaza Cessa, Cl. 47 y Aquilino de la Guardia Parana, Republic de Parana
- KENWOOD ELECTRONICS U.K. LIMITED**  
KENWOOD House, Dwight Road, Watford, Herts., WD1 8EB., United Kingdom
- KENWOOD ELECTRONICS BENELUX N.V.**  
Meachelisesteenweg 418, B-1930 Zaventem, Belgium
- KENWOOD ELECTRONICS DEUTSCHLAND GMBH**  
Rembrücker Str. 15, 63150 Heusenstamm, Germany
- KENWOOD ELECTRONICS FRANCE S.A.**  
13 Boulevard Ney, 75018 Paris, France
- KENWOOD ELECTRONICS ITALIA S.p.A.**  
Via G. Sironi, 7/9 20129, Milano, Italy
- KENWOOD IBERICA S.A.**  
Bolívia, 239-08020 Barcelona, Spain
- KENWOOD ELECTRONICS AUSTRALIA PTY. LTD.**  
(A.C.N. 001499 074)  
P.O. Box 504, 8 Figure Drive, Australia Centre, Homebush, N.S.W. 2140, Australia
- KENWOOD & LEE ELECTRONICS, LTD.**  
Unit 3712-3724, Level 37, Tower 1, Metroplaza, 223 Hing Fong Road, Kwai Fong N.T., Hong Kong
- KENWOOD ELECTRONICS GULF FZE**  
P.O. Box 61318, Jebel Ali, Dubai, U.A.E.
- KENWOOD ELECTRONICS SINGAPORE PTE LTD.**  
No. 1 Genting Lane #02-02, KENWOOD Building, Singapore, 349544
- KENWOOD ELECTRONICS (MALAYSIA) SDN BHD.**  
#4, 01 Level 4, Wisma Academy Lot 4A, Jalan 19/1, 46300 Petaling Jaya Selangor Darul Ehsan Malaysia